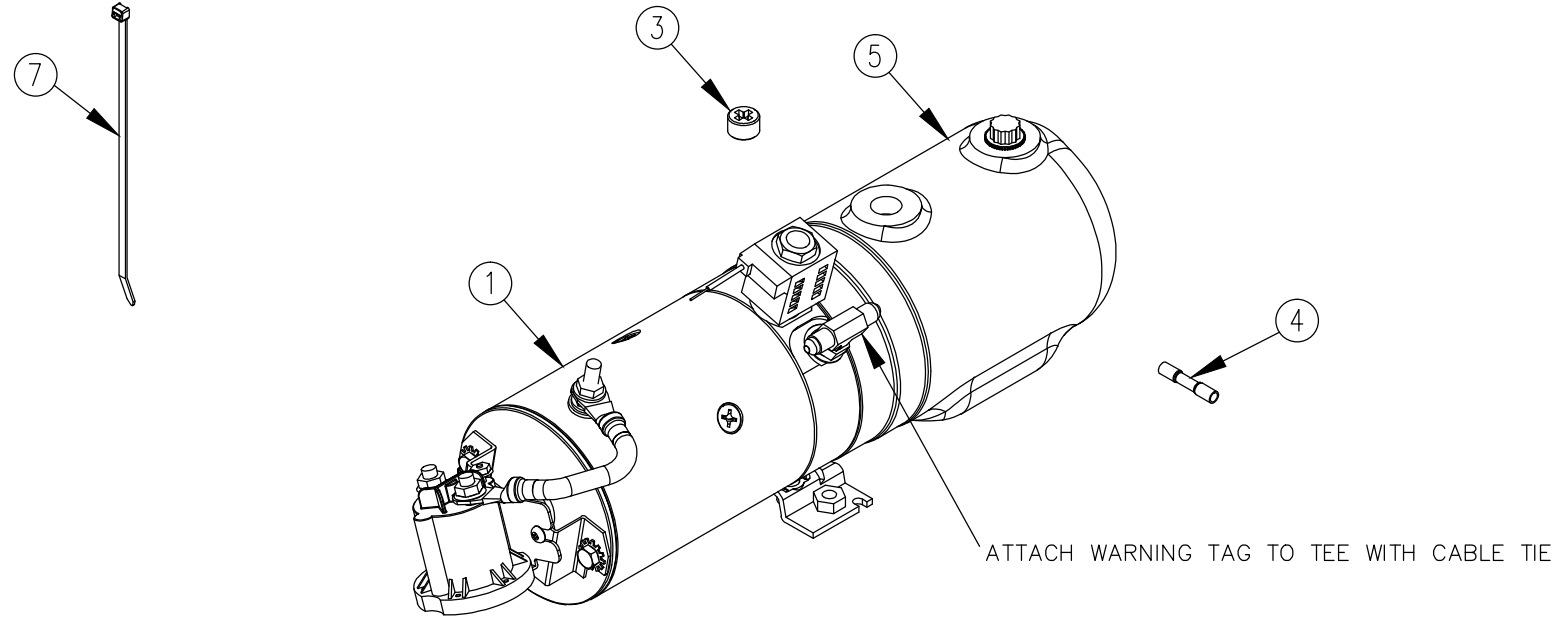


ITEM NO.	QTY.	PART NO.	DESCRIPTION
1	1	10165	MONARCH UNIT 319-0520 (2500) 24V 1650 G2
2	0.335 GAL.	9034	HYDRAULIC OIL
3	1	4403*	VENT PLUG
4	1	9089	16-14 HEAT SHRINK BUTT CONNECTOR
5	1	4304**	MONARCH PLASTIC TANK (1-1/2QT)
6	1	4319	MONARCH 4-1/4" TANK O-RING
7	1	9077	3/16"x7-1/2" CABLE TIE
8	1	14839	VENT PLUG WARNING TAG
9	1	95048	REPLACEMENT POWER UNIT INSTALLATION INSTR.

*ACCOUNTING-DO NOT USE FOR B.O.M.
 **PN004331 3QT TANK WILL GO TO STOCK AND BE REPLACED ON THIS UNIT BY TANK LISTED

8
 ○ WARNING



REV.	DATE	CHANGE RECORD	BY	APPVD	ECN	THIRD ANGLE PROJECTION			FILENAME:		NOTES:	WOODBINE MFG. CO. BUS BROWN DRIVE WOODBINE, IOWA 51579	
						DECIMAL	2PLC	3PLC	SYMBOLY PER ANSI Y14.5	DRAWN BY:			
B	8/17/16	ADDED (1) 9077 AND (1) 14839	JCB		1679	MACHINE SAW, DRILL	.030	.015	DRAWN/DATE	JCB			
A	4/6/15	RELEASED TO PRODUCTION	JCB		1359	SHEAR, PUNCH FORM	.060	.030	DRAWN/DATE	4/6/15			THE INFORMATION HERE IS CONFIDENTIAL AND MUST NOT BE USED IN ANYWAY DETRIMENTAL TO THE INTEREST OF WOODBINE MFG.
						TORCH, WELDING ROUGH CAST	.090	.060	APPVD/DATE		TITLE	REPLACEMENT 1342 24V G2 POWER UNIT (2300PSI)	
						DRAFT 2'		ANGULAR ±1'	SALES CATEGORY	PRODUCT LINE	SCALE 1:4	FIN. WT.	PART NO. 14347