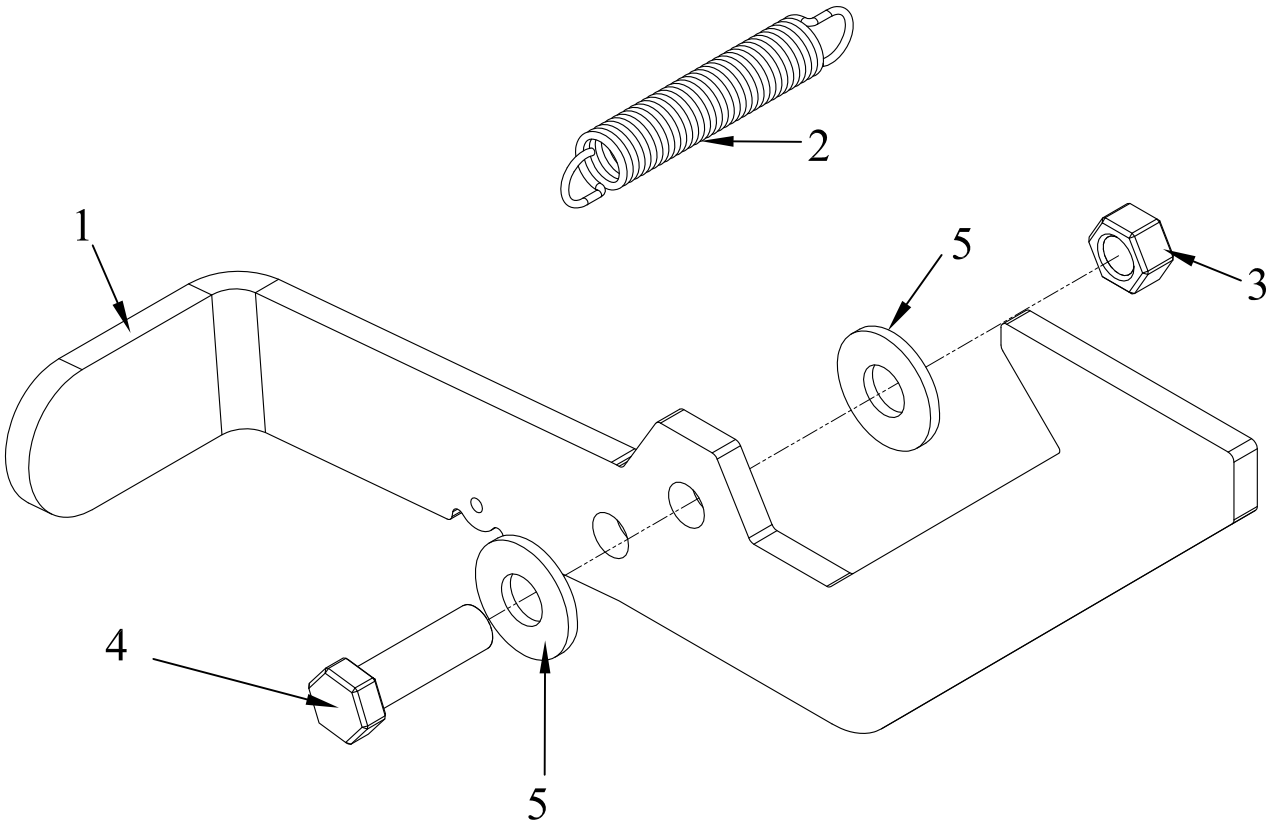


ITEM NO.	QTY.	PART NO.	DESCRIPTION
1	1	002617	.25" RAIL LATCH HDL
2	1	007680	RAIL LATCH SPRING-STAINLESS STEEL
3	1	000597	3/8-16 2 WAY LOCK NUT
4	1	000535	3/8-16x1-1/2" HHCS GR5
5	2	000575	3/8 USS FLAT WASHER



				THIRD ANGLE PROJECTION			FILENAME:		WOODBINE MFG. CO. BUS BROWN DRIVE WOODBINE, IOWA 51579																
							SYMBOLY PER ANSI Y14.5		NOTES:																
				<table border="1"> <tr> <td>DECIMAL</td> <td>2PLC</td> <td>3PLC</td> </tr> <tr> <td>MACHINE SAW, DRILL</td> <td>.030</td> <td>.015</td> </tr> <tr> <td>SHEAR, PUNCH FORM</td> <td>.060</td> <td>.030</td> </tr> <tr> <td>TORCH, WELDING ROUGH CAST</td> <td>.090</td> <td>.060</td> </tr> </table>			DECIMAL	2PLC	3PLC	MACHINE SAW, DRILL	.030	.015	SHEAR, PUNCH FORM	.060	.030	TORCH, WELDING ROUGH CAST	.090	.060	DRAWN BY: LSB		DRAWN/DATE 7/15/08		712-647-2050		
DECIMAL	2PLC	3PLC																							
MACHINE SAW, DRILL	.030	.015																							
SHEAR, PUNCH FORM	.060	.030																							
TORCH, WELDING ROUGH CAST	.090	.060																							
C	12/6/10	REPLACED (1) 510 WITH (1) 535	JCB		376	APPVD/DATE		THE INFORMATION HERE IS CONFIDENTIAL AND MUST NOT BE USED IN ANYWAY DETRIMENTAL TO THE INTEREST OF WOODBINE MFG.																	
B	7/15/08	CHANGED AND REDRAWN	LSB	KGJ		TITLE REPLACEMENT RAILGATE LATCH LEVER																			
REV.	DATE	CHANGE RECORD	BY	APPVD	ECN	DRAFT 2*	ANGULAR ±1*	SALES CATEGORY	PRODUCT LINE	SCALE N	FIN. WT.	PART NO. 1977													