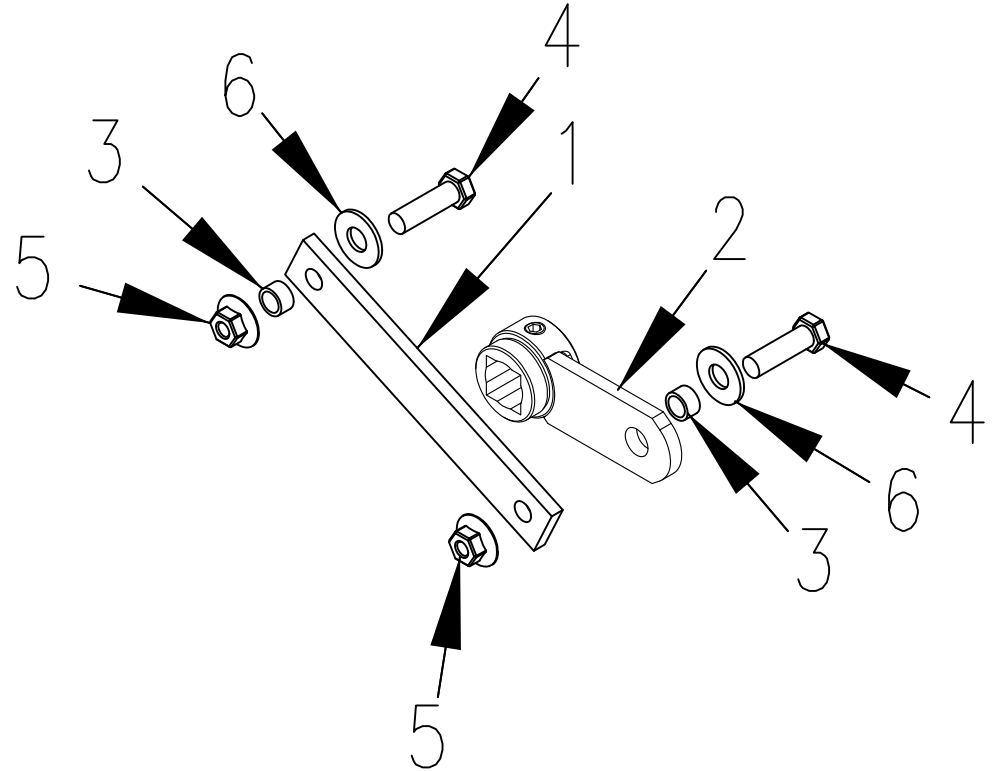
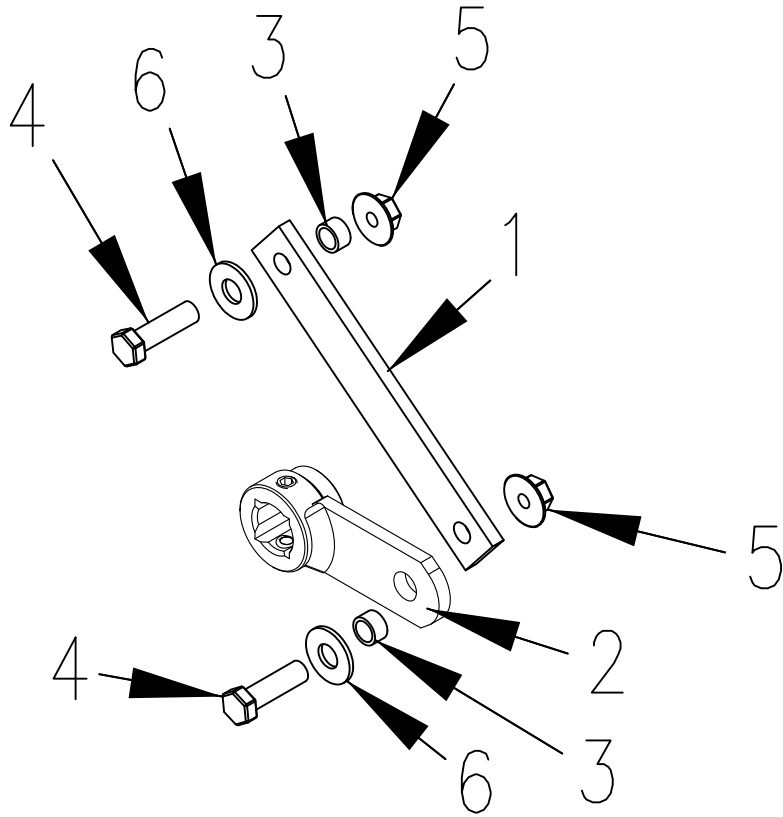


ITEM NO.	QTY.	PART NO.	DESCRIPTION
1	2	001910	.25"x1"x6.72" SC LINK
2	2	001936	SQ. TORSION SPRNG ARM (SC)
3	4	001906	.377" I.D.X.503" O.D.X.281" BRONZE BUSHING
4	4	000510	3/8-16x1-1/4" HHCS GR5
5	4	000553	3/8-16 LARGE FLANGE LOCK NUT
6	4	000575	3/8 USS FLAT WASHER



				THIRD ANGLE PROJECTION			FILENAME:		WOODBINE MFG. CO.															
							SYMBOLY PER ANSI Y14.5		BUS BROWN DRIVE															
				<table border="1"> <thead> <tr> <th>DECIMAL</th> <th>2PLC</th> <th>3PLC</th> </tr> </thead> <tbody> <tr> <td>MACHINE SAW, DRILL</td> <td>.030</td> <td>.015</td> </tr> <tr> <td>SHEAR, PUNCH FORM</td> <td>.060</td> <td>.030</td> </tr> <tr> <td>TORCH, WELDING ROUGH CAST</td> <td>.090</td> <td>.060</td> </tr> </tbody> </table>			DECIMAL	2PLC	3PLC	MACHINE SAW, DRILL	.030	.015	SHEAR, PUNCH FORM	.060	.030	TORCH, WELDING ROUGH CAST	.090	.060	DRAWN BY. GDB		NOTES:		WOODBINE, IOWA 51579	
DECIMAL	2PLC	3PLC																						
MACHINE SAW, DRILL	.030	.015																						
SHEAR, PUNCH FORM	.060	.030																						
TORCH, WELDING ROUGH CAST	.090	.060																						
							DRAWN/DATE 12/4/12		712-647-2050															
							APPVD/DATE																	
A 12/4/12				DRAWN IN AUTOCAD			GDB 792		<small>THE INFORMATION HERE IS CONFIDENTIAL AND MUST NOT BE USED IN ANYWAY DETRIMENTAL TO THE INTEREST OF WOODBINE MFG.</small>															
REV. DATE				CHANGE RECORD			BY APPVD ECN		TITLE SELF CLOSE LINKAGE(COMPLETE) SALES CATEGORY PRODUCT LINE SCALE FIN. WT. PART NO. 008058															