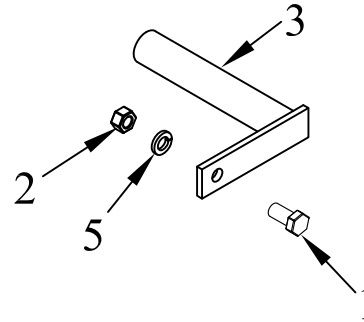
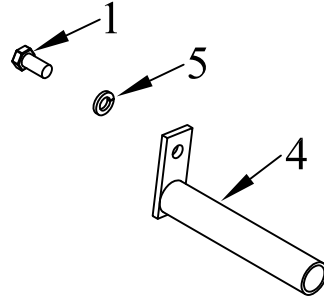


ITEM NO.	QTY.	PART NO.	DESCRIPTION
1	2	587	1/2-13x1" HHCS GR5
2	1	551	1/2-13 GR5 HEX NUT
3	1	7709	HINGE TUBE SPRING HOLDER-40EA PASS
4	1	7778	HINGE TUBE SPRING HOLDER-EA DRIVER
5	2	573	1/2" SPRING LOCKWASHER
6	1	95064	PLATFORM AND/OR TORSION SPRING INSTRUCTIONS



						THIRD ANGLE PROJECTION	FILENAME:	WOODBINE MFG. CO. BUS BROWN DRIVE WOODBINE, IOWA 51579
							SYMBOLY PER ANSI Y14.5	NOTES:
						DECIMAL	2PLC	3PLC
						MACHINE SAW, DRILL	.030	.015
						SHEAR, PUNCH FORM	.060	.030
						TORCH, WELDING ROUGH CAST	.090	.060
A	3/18/11	RELEASED TO PRODUCTION	JCB		420	DRAFT 2°	ANGULAR ±1°	SALES CATEGORY
REV.	DATE	CHANGE RECORD	BY	APPVD	ECN			PRODUCT LINE
								SCALE
								FIN. WT.
								PART NO.
								1220



712-647-2050  
THE INFORMATION HERE IS CONFIDENTIAL AND MUST NOT BE USED IN ANYWAY DETRIMENTAL TO THE INTEREST OF WOODBINE MFG.