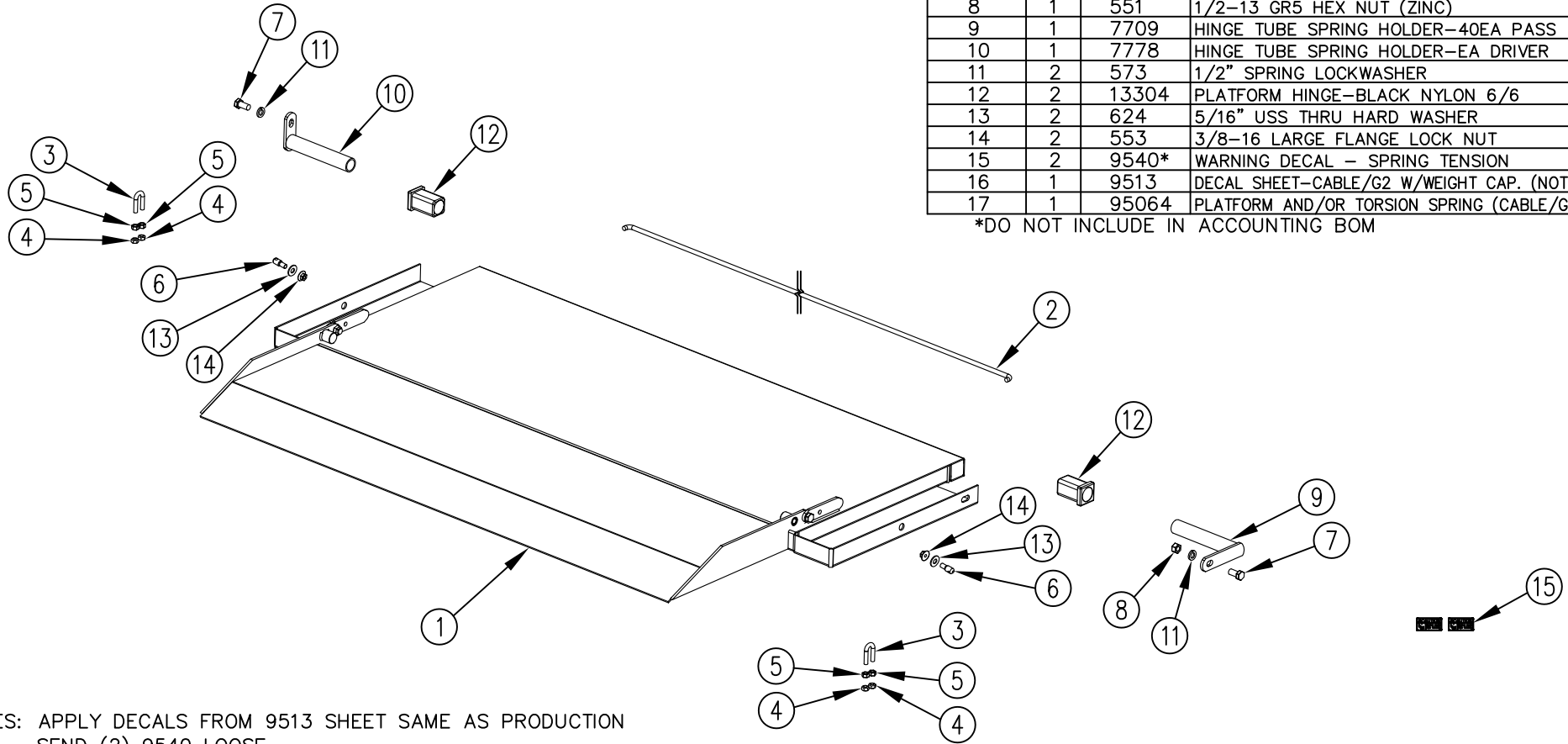


ITEM NO.	QTY.	PART NO.	DESCRIPTION
1	1	1577	60-42 22+11+4 TP PLATFORM COMPLETE
2	1	7869	0.38" X 59.688" TORSION SPRING (60EA)
3	2	4727	3/8"U-BOLT(SHORT)x16x7/8x1-1/2
4	4	605	3/8-16 USS CROWN LOCK NUT
5	4	550	3/8-16 GR5 HEX NUT
6	2	4714	PLATFORM LATCH PIN (G2)
7	2	587	1/2-13x1" HHCS GR5
8	1	551	1/2-13 GR5 HEX NUT (ZINC)
9	1	7709	HINGE TUBE SPRING HOLDER-40EA PASS
10	1	7778	HINGE TUBE SPRING HOLDER-EA DRIVER
11	2	573	1/2" SPRING LOCKWASHER
12	2	13304	PLATFORM HINGE-BLACK NYLON 6/6
13	2	624	5/16" USS THRU HARD WASHER
14	2	553	3/8-16 LARGE FLANGE LOCK NUT
15	2	9540*	WARNING DECAL - SPRING TENSION
16	1	9513	DECAL SHEET-CABLE/G2 W/WEIGHT CAP. (NOT SHOWN)
17	1	95064	PLATFORM AND/OR TORSION SPRING (CABLE/G2) INSTR.

\*DO NOT INCLUDE IN ACCOUNTING BOM



NOTES: APPLY DECALS FROM 9513 SHEET SAME AS PRODUCTION  
SEND (2) 9540 LOOSE

D.1	8/17/16	UPDATED TITLE BLOCK	AAS			THIRD ANGLE PROJECTION	FILENAME:	WOODBINE MFG. CO. BUS BROWN DRIVE WOODBINE, IOWA 51579						
D	3/20/14	REPLACED 2020 W/ INDIVIDUAL PARTS; ADDED (2) 9540, (1) 9513, (1) 95064 & NOTES	JCB		1063		SYMBOLGY PER ANSI Y14.5	NOTES:						
C	10/10/13	ADDED (2) 13304, REMOVED ACCOUNTING NOTE	GDB		979	DECIMAL	2PLC					3PLC		
B	3/15/10	REMOVED PN8025; ADDED PN7868, 587, 551, 7709, 7778, 573	MTC		274	MACHINE SAW,DRILL	.030	.015	DRAWN BY JCB	THE INFORMATION HERE IS CONFIDENTIAL AND MUST NOT BE USED IN ANYWAY DETRIMENTAL TO THE INTEREST OF WOODBINE MFG.				
A	7/25/06	DRAWN IN AUTOCAD	JCB	KGJ		SHEAR, PUNCH FORM	.060	.030	DRAWN/DATE 7/25/06	TITLE G2 60 27+11+4 TP REPLACEMENT PLATFORM				
REV.	DATE	CHANGE RECORD	BY	APPVD	ECN	TORCH, WELDING ROUGH CAST	.090	.060	APPVD/DATE	SALES CATEGORY	PRODUCT LINE	SCALE 1:14	FIN. WT.	PART NO. 4867
						DRAFT 2"								
						ANGULAR ±1"								