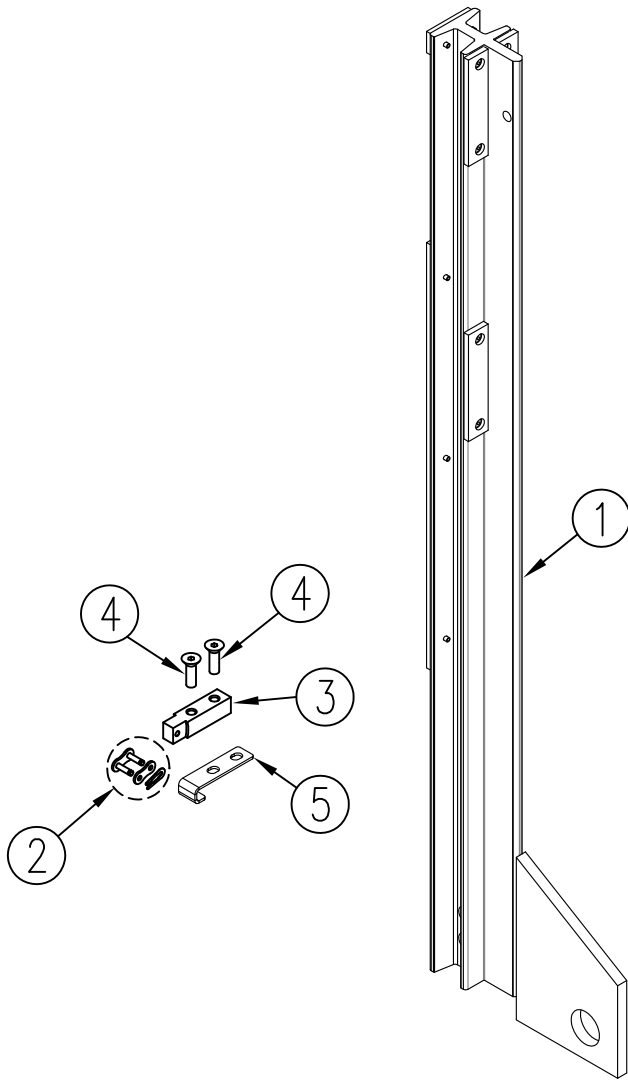


ITEM NO.	QTY.	PART NO.	DESCRIPTION
1	1	011859	44" #4900 COMPLETE SLIDER-RIGHT(ALL ALUM-BH)
2	1	007661	50 SERIES CONNECTING LINK
3	1	007656	3/4" SQ.x3.03" CHAIN HOLDER
4	2	000514	3/8-16x1-1/4" FLHD SHCS
5	1	012614	PLATED CHAIN SHIELD



REV.	DATE	CHANGE RECORD	BY	APPVD	ECN	DRAFT 2"	ANGULAR ±1"	SALES CATEGORY	PRODUCT LINE	SCALE N	FIN. WT.	PART NO. 8655
C	8/15/13	REPLACED 011979 WITH 012614	MTC		941							
B	4/27/12	REPLACE (1) 008639 W/ (1) 011859, ADD (1) 011979	GDB		648							
A	10/8/07	DRAWN IN AUTOCAD	KGJ	KGJ								
						THIRD ANGLE PROJECTION 		FILENAME: SYMBOLOLOGY PER ANSI Y14.5		NOTES: _____ _____ _____		
						DECIMAL 2PLC 3PLC MACHINE SAW, DRILL .030 .015 SHEAR, PUNCH FORM .060 .030 TORCH, WELDING ROUGH CAST .090 .060		DRAWN BY: DJR				
								APPVD/DATE		TITLE 44" REPLACEMENT SLIDER w/PADS-RIGHT(BH) ALL ALUM		
								WOODBINE MFG. CO. BUS BROWN DRIVE WOODBINE, IOWA 51579 712-647-2050				
								THE INFORMATION HERE IS CONFIDENTIAL AND MUST NOT BE USED IN ANYWAY DETRIMENTAL TO THE INTEREST OF WOODBINE MFG.				