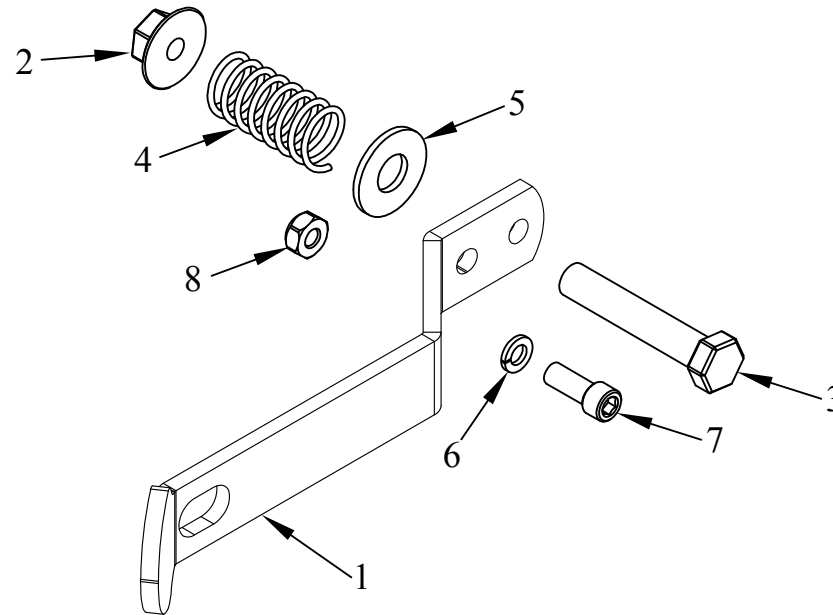


ITEM NO.	QTY.	PART NO.	DESCRIPTION
1	1	14218	G2 LATCH LOW PROFILE
2	1	553	3/8-16 LARGE FLANGE LOCK NUT
3	1	516	3/8-16x2" HHCS GR5
4	1	7644	G2 SPRING FOR LATCH
5	1	575	3/8" USS FLAT WASHER
6	1	625	1/4" S.S. HIGH COLLAR LOCKWASHER
7	1	7663	G2 UPRIGHT LATCH PIN
8	1	532	1/4"-20 USS CROWN LOCK NUT
9	1	95075	G2 LATCH REPLACEMENT/ADJUSTMENT INSTRUCTIONS



				THIRD ANGLE PROJECTION			FILENAME:		WOODBINE MFG. CO.															
							SYMBOLY PER ANSI Y14.5		BUS BROWN DRIVE															
				<table border="1"> <tr> <th>DECIMAL</th> <th>2PLC</th> <th>3PLC</th> </tr> <tr> <td>MACHINE SAW, DRILL</td> <td>.030</td> <td>.015</td> </tr> <tr> <td>SHEAR, PUNCH FORM</td> <td>.060</td> <td>.030</td> </tr> <tr> <td>TORCH, WELDING ROUGH CAST</td> <td>.090</td> <td>.060</td> </tr> </table>			DECIMAL	2PLC	3PLC	MACHINE SAW, DRILL	.030	.015	SHEAR, PUNCH FORM	.060	.030	TORCH, WELDING ROUGH CAST	.090	.060	DRAWN BY: GDB		NOTES:		WOODBINE, IOWA 51579	
DECIMAL	2PLC	3PLC																						
MACHINE SAW, DRILL	.030	.015																						
SHEAR, PUNCH FORM	.060	.030																						
TORCH, WELDING ROUGH CAST	.090	.060																						
							DRAWN/DATE 8/4/15		712-647-2050															
							APPVD/DATE																	
							TITLE		<small>THE INFORMATION HERE IS CONFIDENTIAL AND MUST NOT BE USED IN ANYWAY DETRIMENTAL TO THE INTEREST OF WOODBINE MFG.</small>															
A	8/4/15	RELEASED TO PRODUCTION		GDB		1456	G2 LOW PROFILE REPLACEMENT LATCH KIT																	
REV.	DATE	CHANGE RECORD		BY	APPVD	ECN	SALES CATEGORY	PRODUCT LINE	SCALE	FIN. WT.	PART NO.													
									N		14268													