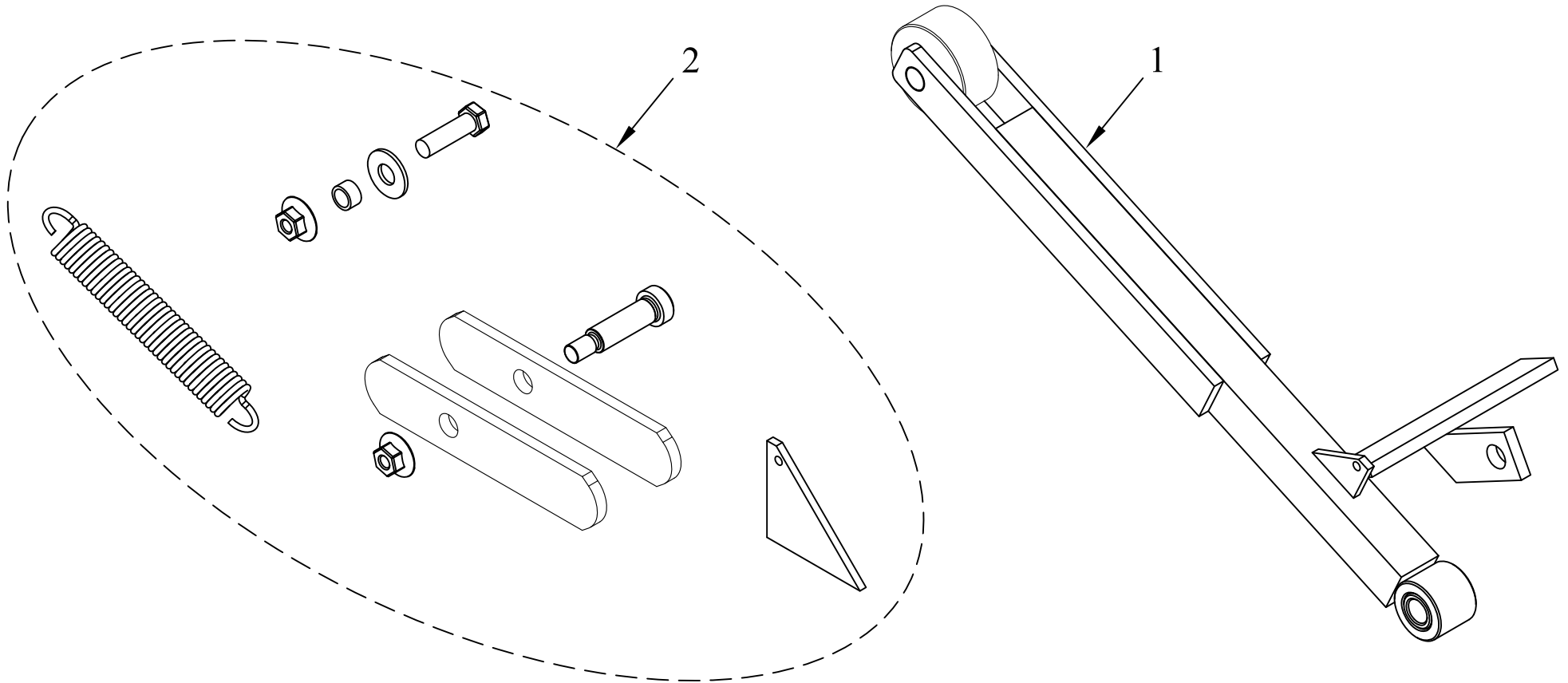


ITEM NO.	QTY.	PART NO.	DESCRIPTION
1	1	007297	COMPLETE PLATED SELF CLOSE ARM—RIGHT (N)
2	1	008120	REPAIR HARDWARE ONLY—ALUM SC ARM



REV.	DATE	CHANGE RECORD	BY	APPVD	ECN	DRAFT 2"	ANGULAR ±1°	SALES CATEGORY	PRODUCT LINE	SCALE N	FIN. WT. 6.64	PART NO. 7290
B	2/8/10	COMBINED PARTS INTO HARDWARE KIT (8120)	JCB		264							
A	9/26/07	DRAWN IN AUTOCAD	JCB	KGJ								

THIRD ANGLE PROJECTION		
DECIMAL	2PLC	3PLC
MACHINE SAW, DRILL	.030	.015
SHEAR, PUNCH FORM	.060	.030
TORCH, WELDING ROUGH CAST	.090	.060

FILENAME:	NOTES:
SYMBOLY PER ANSI Y14.5	
DRAWN BY. JCB	
DRAWN/DATE 9/26/07	
APPVD/DATE	TITLE
	REPLACEMENT ALUM PLAT SC ARM KIT—RT(ALUM FRAME)(N)

WOODBINE MFG. CO.  
BUS BROWN DRIVE  
WOODBINE, IOWA 51579

712-647-2050

The original TOMMY GATE hydraulic lift

THE INFORMATION HERE IS CONFIDENTIAL AND MUST NOT BE USED IN ANYWAY DETRIMENTAL TO THE INTEREST OF WOODBINE MFG.