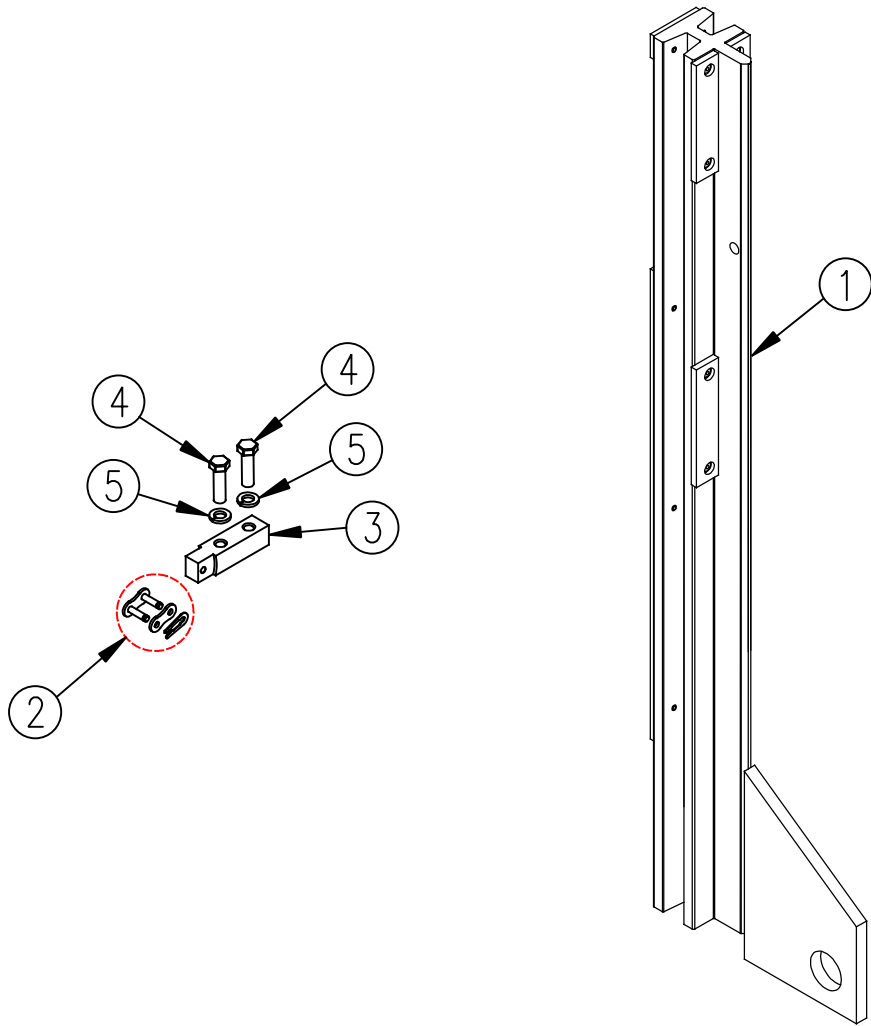



ITEM NO.	QTY.	PART NO.	DESCRIPTION
1	1	011048	36" COMPLETE SLIDER 4900 (AB) SC AL
2	1	007661	50 SERIES CONNECTING LINK
3	1	007656	3/4"SQ.x3.03" CHAIN HOLDER
4	2	000510	3/8-16x1-1/4" HHCS GR5
5	2	000572	3/8" SPRING LOCK WASHER
6	1	095056	(R)RAIL TORSION ASSIST SPRING INSTR



REV.	DATE	CHANGE RECORD	BY	APPVD	ECN	THIRD ANGLE PROJECTION	FILENAME:	SYMBOLY PER ANSI Y14.5	NOTES:	WOODBINE MFG. CO. BUS BROWN DRIVE WOODBINE, IOWA 51579																				
B	12/19/16	ADDED 095056	AAS		1756	<table border="1"> <tr> <td>DECIMAL</td> <td>2PLC</td> <td>3PLC</td> </tr> <tr> <td>MACHINE SAW, DRILL</td> <td>.030</td> <td>.015</td> </tr> <tr> <td>SHEAR, PUNCH FORM</td> <td>.060</td> <td>.030</td> </tr> <tr> <td>TORCH, WELDING ROUGH CAST</td> <td>.090</td> <td>.060</td> </tr> <tr> <td>DRAFT 2°</td> <td colspan="2">ANGULAR ±1°</td> </tr> </table>	DECIMAL	2PLC	3PLC	MACHINE SAW, DRILL	.030	.015	SHEAR, PUNCH FORM	.060	.030	TORCH, WELDING ROUGH CAST	.090	.060	DRAFT 2°	ANGULAR ±1°		<table border="1"> <tr> <td>DRAWN BY.</td> <td>JAR</td> </tr> <tr> <td>DRAWN/DATE</td> <td>3/2/12</td> </tr> <tr> <td>APPVD/DATE</td> <td></td> </tr> </table>	DRAWN BY.	JAR	DRAWN/DATE	3/2/12	APPVD/DATE			<p>THE INFORMATION HERE IS CONFIDENTIAL AND MUST NOT BE USED IN ANYWAY DETRIMENTAL TO THE INTEREST OF WOODBINE MFG.</p> 
DECIMAL	2PLC	3PLC																												
MACHINE SAW, DRILL	.030	.015																												
SHEAR, PUNCH FORM	.060	.030																												
TORCH, WELDING ROUGH CAST	.090	.060																												
DRAFT 2°	ANGULAR ±1°																													
DRAWN BY.	JAR																													
DRAWN/DATE	3/2/12																													
APPVD/DATE																														
A	3/2/12	RELEASED TO PRODUCTION	JAR		603																									
							SALES CATEGORY	PRODUCT LINE	SCALE	FIN. WT.	PART NO.																			
									N		11865																			