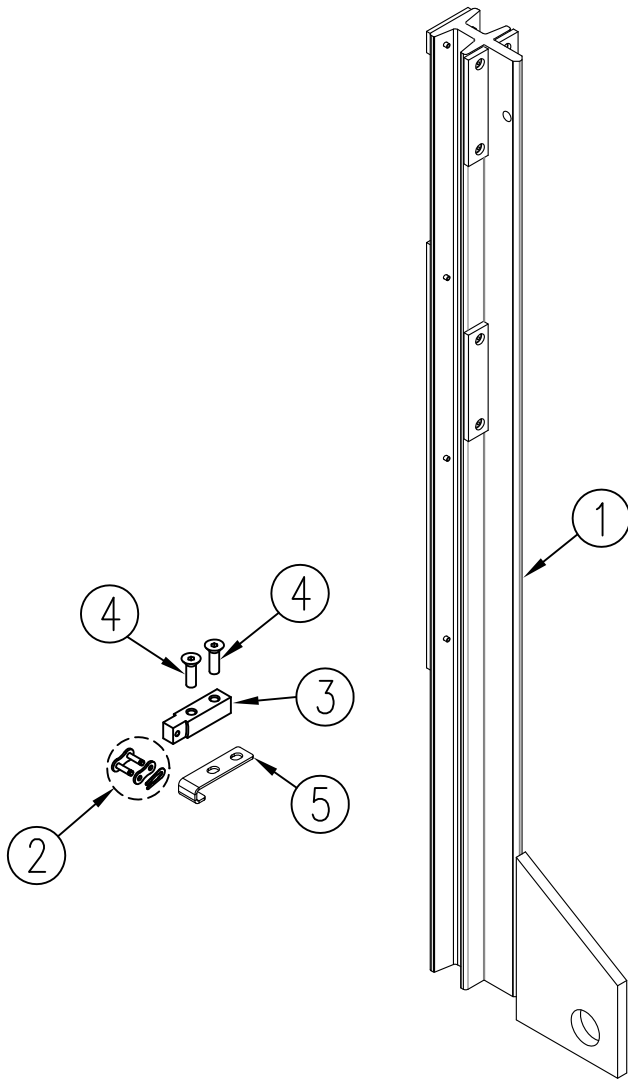



ITEM NO.	QTY.	PART NO.	DESCRIPTION
1	1	011858	44" #4900 COMPLETE SLIDER-LEFT(ALL ALUM-BH)
2	1	007661	50 SERIES CONNECTING LINK
3	1	007656	3/4" SQ.x3.03" CHAIN HOLDER
4	2	000514	3/8-16x1-1/4" FLHD SHCS
5	1	012614	PLATED CHAIN SHIELD



REV.	DATE	CHANGE RECORD	BY	APPVD	ECN	THIRD ANGLE PROJECTION			FILENAME:		WOODBINE MFG. CO. BUS BROWN DRIVE WOODBINE, IOWA 51579	
						DECIMAL	2PLC	3PLC	SYMBOLY PER ANSI Y14.5	NOTES:		
C	8/15/13	REPLACED 011979 WITH 012614	MTC		941	MACHINE SAW, DRILL	.030	.015	DRAWN BY: DJR		712-647-2050 	
B	4/27/12	REPLACE (1) 008624 W/ (1) 011858, ADD (1) 011979	GDB		648	SHEAR, PUNCH FORM	.060	.030	DRAWN/DATE 9/19/03			THE INFORMATION HERE IS CONFIDENTIAL AND MUST NOT BE USED IN ANYWAY DETRIMENTAL TO THE INTEREST OF WOODBINE MFG.
A	10/8/07	DRAWN IN AUTOCAD	KGJ	KGJ		TORCH, WELDING ROUGH CAST	.090	.060	APPVD/DATE	TITLE 44"REPLACEMENT SLIDER w/PADS-LEFT(BH) ALL ALUM		
						DRAFT 2'	ANGULAR ±1'	SALES CATEGORY	PRODUCT LINE	SCALE N	FIN. WT.	PART NO. 8654