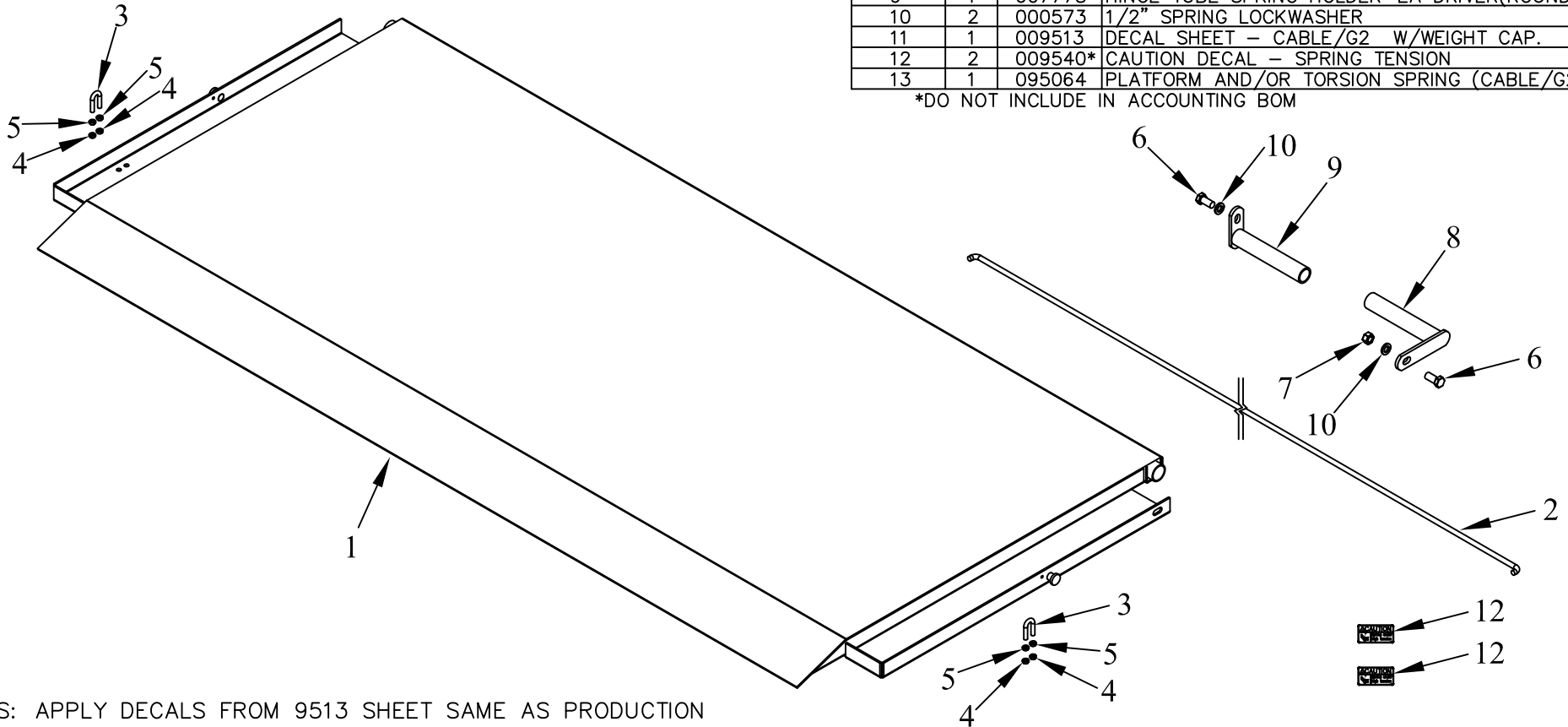


ITEM NO.	QTY.	PART NO.	DESCRIPTION
1	1	002064	(64SB) 42+6" TREADPLATE PLATFORM COMPLETE
2	1	007870	0.38" X 64.313" TORSION SPRING (64EA)
3	2	004727	3/8"U-BOLT(SHORT)x16x7/8x1-1/2
4	4	000605	3/8-16 USS CROWN LOCK NUT
5	4	000550	3/8-16 GR5 HEX NUT
6	2	000587	1/2-13x1" HHCS GR5
7	1	000551	1/2-13 GR5 HEX NUT (ZINC)
8	1	007431	HINGE TUBE SPRING HOLDER-PASSENGER 64SB/72
9	1	007778	HINGE TUBE SPRING HOLDER-EA DRIVER(ROUND SPRING)
10	2	000573	1/2" SPRING LOCKWASHER
11	1	009513	DECAL SHEET - CABLE/G2 W/WEIGHT CAP.
12	2	009540*	CAUTION DECAL - SPRING TENSION
13	1	095064	PLATFORM AND/OR TORSION SPRING (CABLE/G2) INSTR.

\*DO NOT INCLUDE IN ACCOUNTING BOM



NOTES: APPLY DECALS FROM 9513 SHEET SAME AS PRODUCTION  
SEND (2) 9540 LOOSE

REV.	DATE	CHANGE RECORD	BY	APPVD	ECN	THIRD ANGLE PROJECTION	FILENAME:	SYMBOLY PER ANSI Y14.5	NOTES:	WOODBINE MFG. CO. BUS BROWN DRIVE WOODBINE, IOWA 51579 712-647-2050																		
C	1/14/15	REPLACED 7710 WITH 7431; ADDED 9513, 9540, AND 95064	JCB		1299	<table border="1"> <tr> <td>DECIMAL</td> <td>2PLC</td> <td>3PLC</td> </tr> <tr> <td>MACHINE SAW, DRILL</td> <td>.030</td> <td>.015</td> </tr> <tr> <td>SHEAR, PUNCH FORM</td> <td>.060</td> <td>.030</td> </tr> <tr> <td>TORCH, WELDING ROUGH CAST</td> <td>.090</td> <td>.060</td> </tr> </table>	DECIMAL	2PLC	3PLC	MACHINE SAW, DRILL	.030	.015	SHEAR, PUNCH FORM	.060	.030	TORCH, WELDING ROUGH CAST	.090	.060	<table border="1"> <tr> <td>DRAWN BY.</td> <td>DJR</td> </tr> <tr> <td>DRAWN/DATE</td> <td>3/15/05</td> </tr> <tr> <td>APPVD/DATE</td> <td></td> </tr> </table>	DRAWN BY.	DJR	DRAWN/DATE	3/15/05	APPVD/DATE				<p>THE INFORMATION HERE IS CONFIDENTIAL AND MUST NOT BE USED IN ANYWAY DETRIMENTAL TO THE INTEREST OF WOODBINE MFG.</p> <p>The original <b>TOMMY GATE</b> hydraulic lift</p>
DECIMAL	2PLC	3PLC																										
MACHINE SAW, DRILL	.030	.015																										
SHEAR, PUNCH FORM	.060	.030																										
TORCH, WELDING ROUGH CAST	.090	.060																										
DRAWN BY.	DJR																											
DRAWN/DATE	3/15/05																											
APPVD/DATE																												
B	3/12/10	REMOVED PN8085; ADDED PN7870, 587, 551, 7710, 7778, 573	MTC		274																							
A	5/22/06	UPDATED BOM	JCB	KGJ																								
						<table border="1"> <tr> <td>DRAFT</td> <td>ANGULAR</td> </tr> <tr> <td>2"</td> <td>±1"</td> </tr> </table>	DRAFT	ANGULAR	2"	±1"	SALES CATEGORY	PRODUCT LINE	SCALE	FIN. WT.	PART NO.	1783												
DRAFT	ANGULAR																											
2"	±1"																											