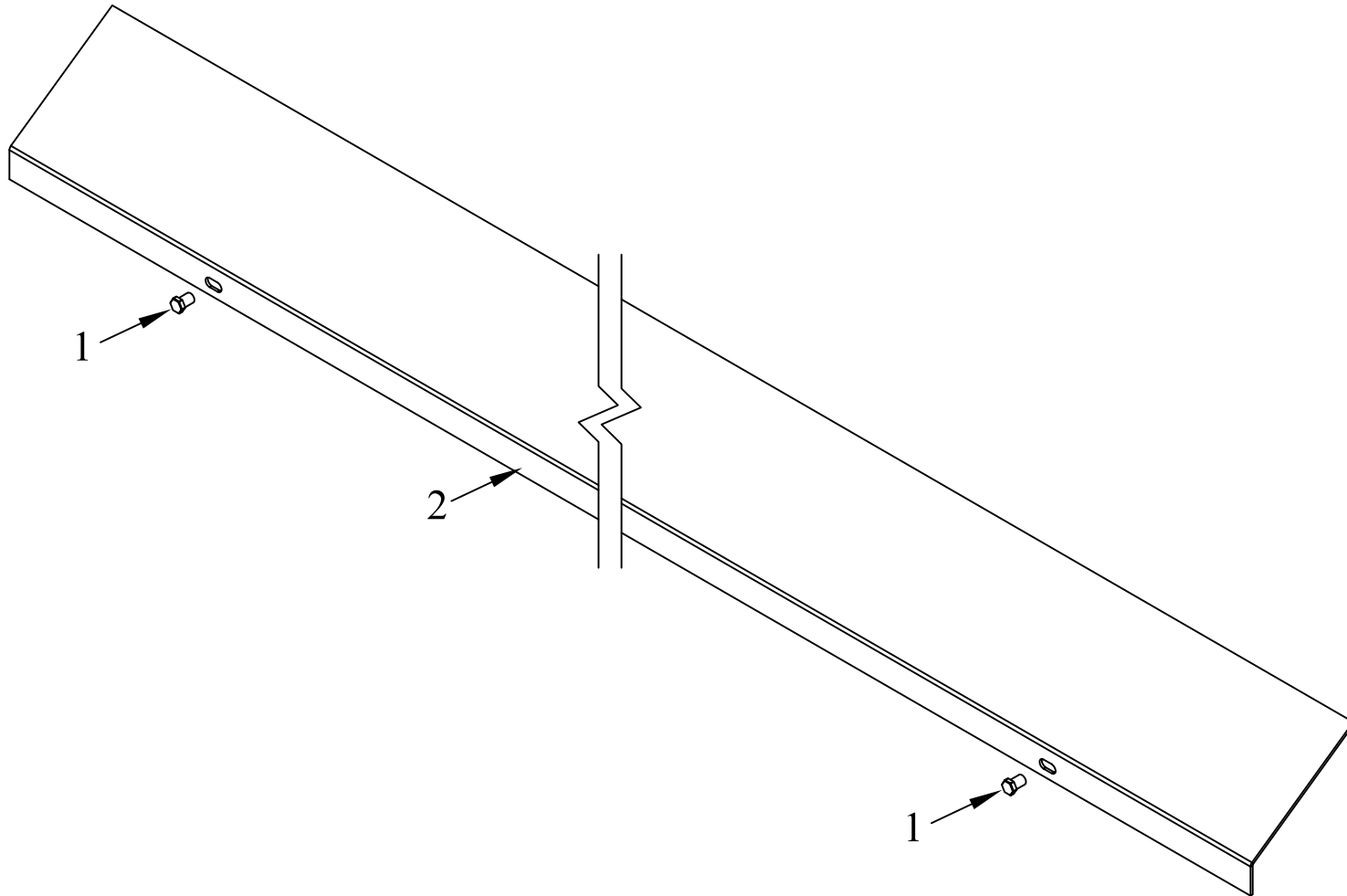



ITEM NO.	QTY.	PART NO.	DESCRIPTION
1	2	000506	5/16-18X1/2' HHCS GRADE 5 BOLT
2	1	013390	14GAx7"x71.19"BOX COVER(74)



REV.	DATE	CHANGE RECORD	BY	APPVD	ECN	DRAFT	ANGULAR	SALES CATEGORY	PRODUCT LINE	SCALE	FIN. WT.	PART NO.														
A	9/28/15	RELEASED TO PRODUCTION	AAS		1486	2'	±1'			N		14584														
						THIRD ANGLE PROJECTION	<table border="1"> <tr> <td>DECIMAL</td> <td>2PLC</td> <td>3PLC</td> </tr> <tr> <td>MACHINE SAW, DRILL</td> <td>.030</td> <td>.015</td> </tr> <tr> <td>SHEAR, PUNCH FORM</td> <td>.060</td> <td>.030</td> </tr> <tr> <td>TORCH, WELDING ROUGH CAST</td> <td>.090</td> <td>.060</td> </tr> </table>		DECIMAL	2PLC	3PLC	MACHINE SAW, DRILL	.030	.015	SHEAR, PUNCH FORM	.060	.030	TORCH, WELDING ROUGH CAST	.090	.060	FILENAME: SYMBOLY PER ANSI Y14.5 DRAWN BY: AAS DRAWN/DATE 9/28/15 APPVD/DATE		NOTES: _____ _____ _____		WOODBINE MFG. CO. BUS BROWN DRIVE WOODBINE, IOWA 51579 712-647-2050 	
DECIMAL	2PLC	3PLC																								
MACHINE SAW, DRILL	.030	.015																								
SHEAR, PUNCH FORM	.060	.030																								
TORCH, WELDING ROUGH CAST	.090	.060																								
								TITLE REPLACEMENT BOX COVER(74)		THE INFORMATION HERE IS CONFIDENTIAL AND MUST NOT BE USED IN ANYWAY DETRIMENTAL TO THE INTEREST OF WOODBINE MFG.																