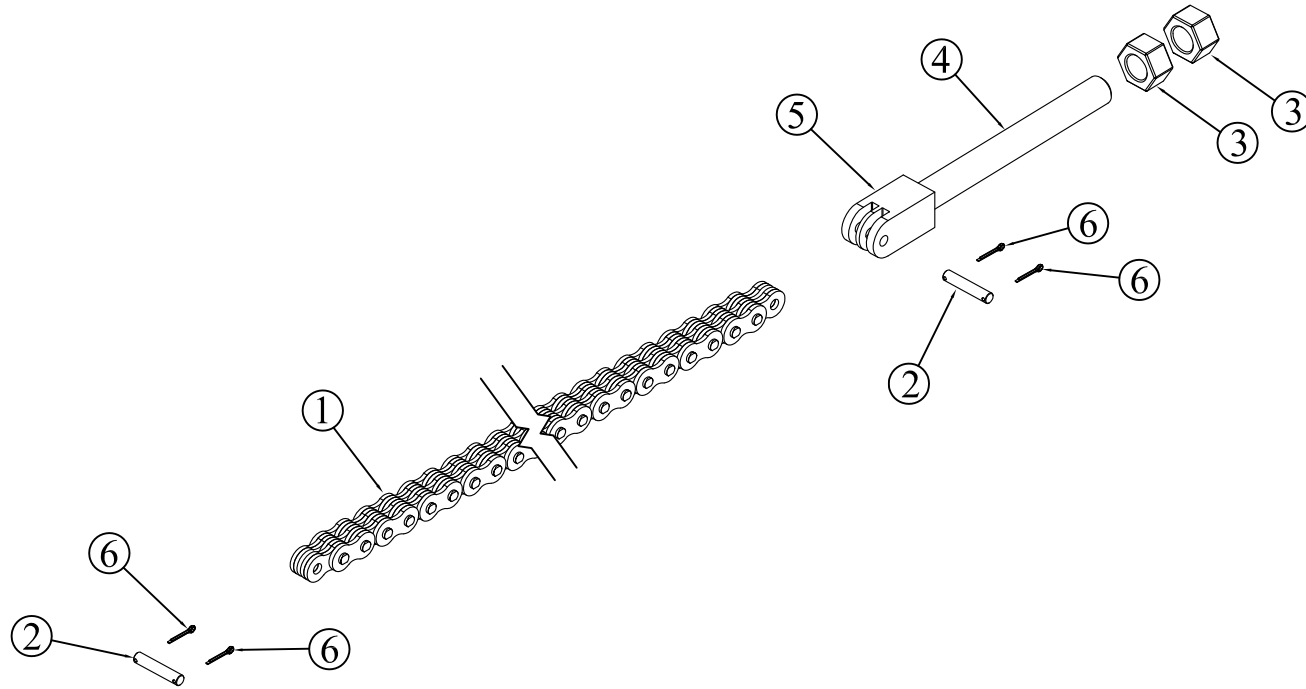


ITEM NO.	QTY.	PART NO.	DESCRIPTION
1	1	011147	301 PITCH LEAF CHAIN
2	2	008204	PIN LEAF CHAIN (25/30)
3	2	000552	5/8-18 SAE HEX FIN NUT
4	1	007667	5/8"x5-3/4" CHAIN ADJUSTMENT BOLT
5	1	008212	CLEVIS LEAF TOWER (25/30) RAIL
6	4	009967	1/16"x1/2" COTTER PIN
7	1	095085	LIFTING CHAIN REPLACEMENT GUIDE



REV.	DATE	CHANGE RECORD	BY	APPVD	ECN	DRAFT 2"	ANGULAR ±1"	SALES CATEGORY	PRODUCT LINE	SCALE	FIN. WT.	PART NO.
B	2/28/12	301 PITCH WAS 297 PITCH	LSB		605							
A	10/17/11	RELEASED TO PRODUCTION	JAR		529							
						THIRD ANGLE PROJECTION	FILENAME:		WOODBINE MFG. CO.			
							SYMBOLY PER ANSI Y14.5		BUS BROWN DRIVE			
						DECIMAL	2PLC	3PLC	NOTES:			
						MACHINE SAW, DRILL	.030	.015	DRAWN BY. JAR			
						SHEAR, PUNCH FORM	.060	.030	DRAWN/DATE 10/17/11			
						TORCH, WELDING ROUGH CAST	.090	.060	APPVD/DATE			
									TITLE			
									REPLACEMENT LEAF CHAIN 301 PITCH - DRIVER'S SIDE			
												11798

712-647-2050

THE ORIGINAL  
**TOMMY GATE**  
hydraulic lift

THE INFORMATION HERE IS CONFIDENTIAL AND MUST NOT BE USED IN ANYWAY DETRIMENTAL TO THE INTEREST OF WOODBINE MFG.