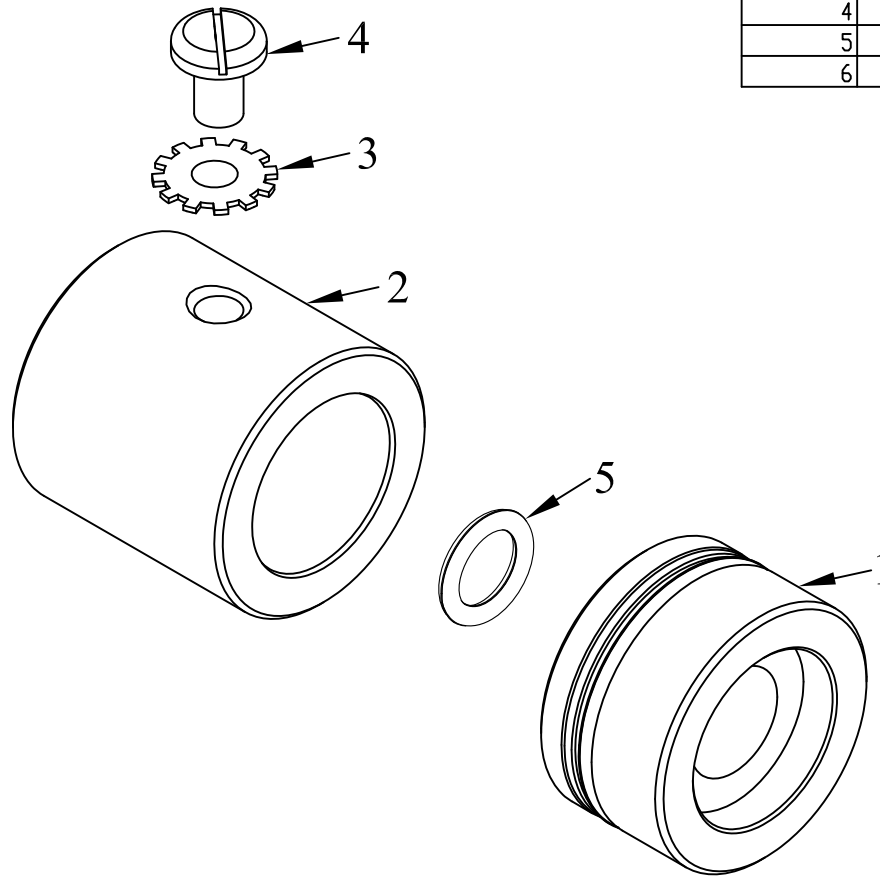


ITEM NO.	QTY.	PART NO.	DESCRIPTION
1	1	007447	1-1/2"CYL. PIST w/O-RINGS(1034-1040)
2	1	007450	1"x1.50"x1.50"ALUM GUIDE BUSHING#1
3	1	000570	1/4" STAR WASHER
4	1	000502	1/4-20x3/8" SC PANHD MS
5	1	004556	5/8" O-RING 2-111
6	1	095072	ORIGINAL SERIES CYLINDER SEAL REPLACEMENT INSTR.



				THIRD ANGLE PROJECTION			FILENAME:		WOODBINE MFG. CO. BUS BROWN DRIVE WOODBINE, IOWA 51579																
							SYMBOLY PER ANSI Y14.5		NOTES:																
				<table border="1"> <tr> <th>DECIMAL</th> <th>2PLC</th> <th>3PLC</th> </tr> <tr> <td>MACHINE SAW, DRILL</td> <td>.030</td> <td>.015</td> </tr> <tr> <td>SHEAR, PUNCH FORM</td> <td>.060</td> <td>.030</td> </tr> <tr> <td>TORCH, WELDING ROUGH CAST</td> <td>.090</td> <td>.060</td> </tr> </table>			DECIMAL	2PLC	3PLC	MACHINE SAW, DRILL	.030	.015	SHEAR, PUNCH FORM	.060	.030	TORCH, WELDING ROUGH CAST	.090	.060	DRAWN BY. DJR				712-647-2050		
DECIMAL	2PLC	3PLC																							
MACHINE SAW, DRILL	.030	.015																							
SHEAR, PUNCH FORM	.060	.030																							
TORCH, WELDING ROUGH CAST	.090	.060																							
							DRAWN/DATE 12/10/03		THE INFORMATION HERE IS CONFIDENTIAL AND MUST NOT BE USED IN ANYWAY DETRIMENTAL TO THE INTEREST OF WOODBINE MFG.																
B 1/12/11				ADDED (1) 4556 AND (1) 95072			APPVD/DATE		TITLE 1-1/2" CYLINDER REPAIR KIT(1034-1040)																
REV. DATE				CHANGE RECORD			SALES CATEGORY		PRODUCT LINE	SCALE N	FIN. WT.	PART NO. 1139													
				BY APPVD ECN			DRAFT 2"		ANGULAR ±1"																