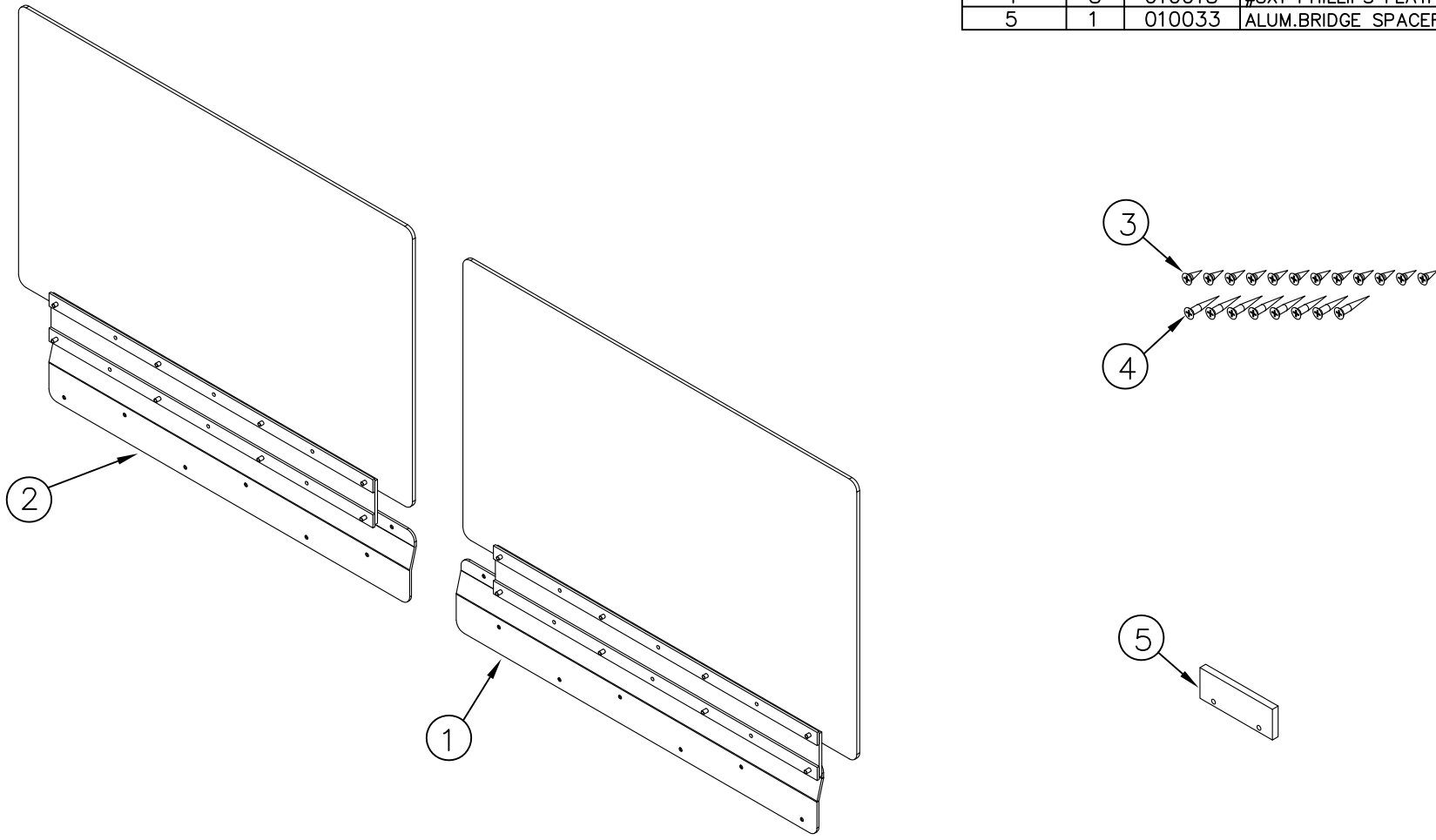

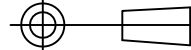


ITEM NO.	QTY.	PART NO.	DESCRIPTION
1	1	010589	BRIDGE ASSEMBLY--RIGHT
2	1	003059	BRIDGE ASSEMBLY--LEFT
3	12	003117	#8X1/2 PHILLIPS FLATHEAD WOOD SCREW-PL
4	8	010018	#8X1 PHILLIPS FLATHEAD WOOD SCREW-PL
5	1	010033	ALUM.BRIDGE SPACER BLOCK(CANTILEVER)



REV.	DATE	CHANGE RECORD	BY	APPVD	ECN	DRAFT	ANGULAR	SALES CATEGORY	PRODUCT LINE	SCALE	FIN. WT.	PART NO.														
B	1/13/14	ADDED (1) 10033	JCB		1034	2'	±1°			N		11675														
A	9/13/11	RELEASED FOR PRODUCTION	LSB		510																					
						THIRD ANGLE PROJECTION		FILENAME:		WOODBINE MFG. CO. BUS BROWN DRIVE WOODBINE, IOWA 51579 712-647-2050  THE INFORMATION HERE IS CONFIDENTIAL AND MUST NOT BE USED IN ANYWAY DETRIMENTAL TO THE INTEREST OF WOODBINE MFG.																
								SYMBOLY PER ANSI Y14.5					NOTES:													
						<table border="1"> <tr> <th>DECIMAL</th> <th>2PLC</th> <th>3PLC</th> </tr> <tr> <td>MACHINE SAW, DRILL</td> <td>.030</td> <td>.015</td> </tr> <tr> <td>SHEAR, PUNCH FORM</td> <td>.060</td> <td>.030</td> </tr> <tr> <td>TORCH, WELDING ROUGH CAST</td> <td>.090</td> <td>.060</td> </tr> </table>		DECIMAL	2PLC				3PLC	MACHINE SAW, DRILL	.030	.015	SHEAR, PUNCH FORM	.060	.030	TORCH, WELDING ROUGH CAST	.090	.060	DRAWN BY: LSB			
DECIMAL	2PLC	3PLC																								
MACHINE SAW, DRILL	.030	.015																								
SHEAR, PUNCH FORM	.060	.030																								
TORCH, WELDING ROUGH CAST	.090	.060																								
								DRAWN/DATE: 9/13/11																		
								APPVD/DATE		TITLE: REPLACEMENT CANTILEVER SPRINKER BRIDGE																