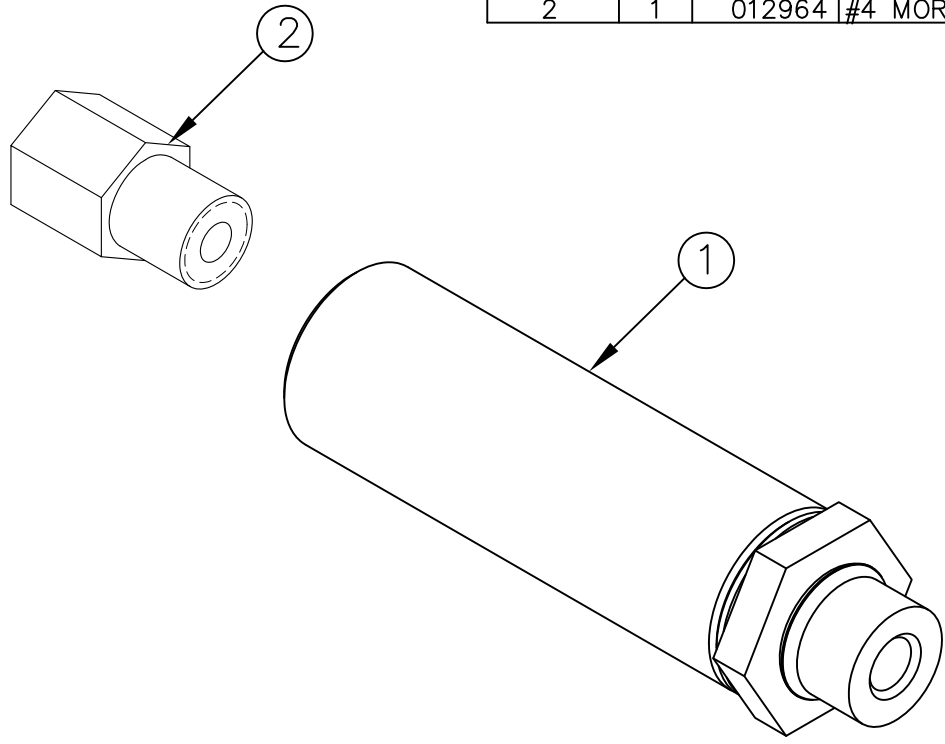
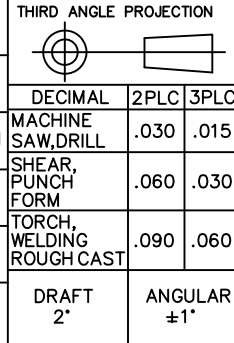


ITEM NO.	QTY.	PART NO.	DESCRIPTION
1	1	012786	FLOW CONTROL COM(#6 MORBx #4FORB x.058)(650)
2	1	012964	#4 MORB TO #4 FEMALE NPT ADAPTOR



REV.	DATE	CHANGE RECORD	BY	APPVD	ECN	DRAFT	ANGULAR	SALES CATEGORY	PRODUCT LINE	SCALE	FIN. WT.	PART NO.
C	12/11/13	ADDED (1) 012964	GDB		1021	2'	±1°					
B	8/29/13	12786 WAS 1425	GDB		943							
A	3/27/06	DRAWN IN AUTOCAD	DJR	KGJ								
										N	0.4	997



FILENAME:	SYMBOLY PER ANSI Y14.5	NOTES:
DRAWN BY. DJR	DRAWN/DATE 1/24/06	
APPVD/DATE	TITLE 650 REPLACEMENT FLOW CONTROL	
SALES CATEGORY	PRODUCT LINE	

WOODBINE MFG. CO.
 BUS BROWN DRIVE
 WOODBINE, IOWA 51579
 712-647-2050

THE INFORMATION HERE IS CONFIDENTIAL AND MUST NOT BE USED IN ANYWAY DETRIMENTAL TO THE INTEREST OF WOODBINE MFG.