

OPTIONAL RAILGATE MOUNTING COMPONENT KIT

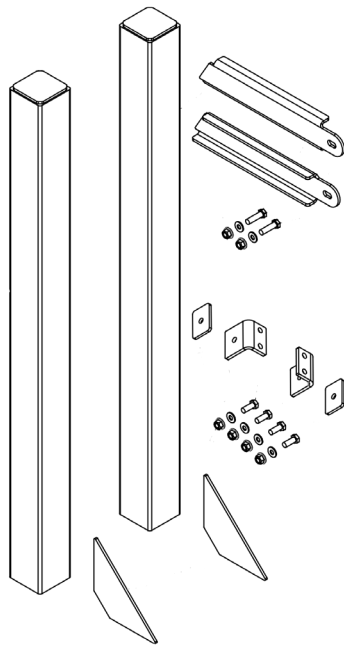


A COMPONENT KIT TO REINFORCE A TOMMY GATE RAILGATE INSTALLATION ON A FLATBED OR STAKE BODY

The purpose of this optional component kit is to provide upfitters an option to reinforce the mounting points during the installation of a Tommy Gate Railgate on a flatbed or stake body.

PART #: 17874

COMPATIBLE LIFTGATES¹: All Steel, Standard Railgate
All Steel, High-Cycle and Bi-Fold Railgates



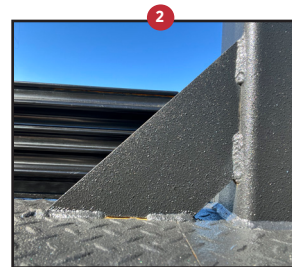
NOTE:

1. Railgate Mounting Component Kit is only compatible with steel frame Railgates.



Flatbed Component Kit parts list.

QTY.	PART NO.	DESCRIPTION
4	521	1/2-13 x 1-1/4" HHCS GR5
6	576	1/2" USS FLAT WASHER
2	3053	1/2-13 x 1-3/4" HHCS GR5
6	13975	1/2-13 GR5 FLANGE LOCK NUT (ZINC)
2	15651	TKL BRACE SUPPORT
2	17964	VERTICAL SUPPORT GUSSET
2	17965	LOWER BRACE SHIM
1	17967	DRIVER SIDE LOWER BRACE
1	17968	PASSENGER SIDE LOWER BRACE
2	17986	VERTICAL SUPPORT WELDMENT



In view of the responsibility of altered-stage vehicle manufacturers to comply with any and all regulations, Tommy Gate offers "Component Kits" as a possible solution. However, it is the sole responsibility of the upfitter/final stage manufacturer to determine if a Tommy Gate Component Kit meets safety guidelines and regulations and/or any other applicable vehicle certification - and it is not the responsibility of Tommy Gate/Woodbine Manufacturing Company. Any information made available by Tommy Gate regarding its Component Kits are not intended to be, and shall not be, relied upon as a final determination of compliance with any vehicle certification. Each distributor must, on its own, make each such required determination for each vehicle it offers to a customer. Tommy Lifts are industrial products for material handling only and are not to be used as personnel or wheelchair lifts. For safe handling and operating instructions, visit: www.tommygate.com. This price sheet is a supplement, effective March 2023, All terms and conditions of sale apply. Please see the Tommy Gate Liftgate Price List for complete information.