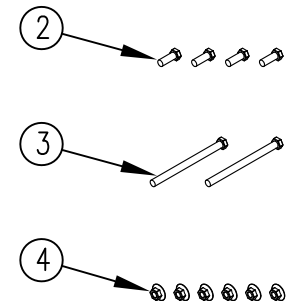
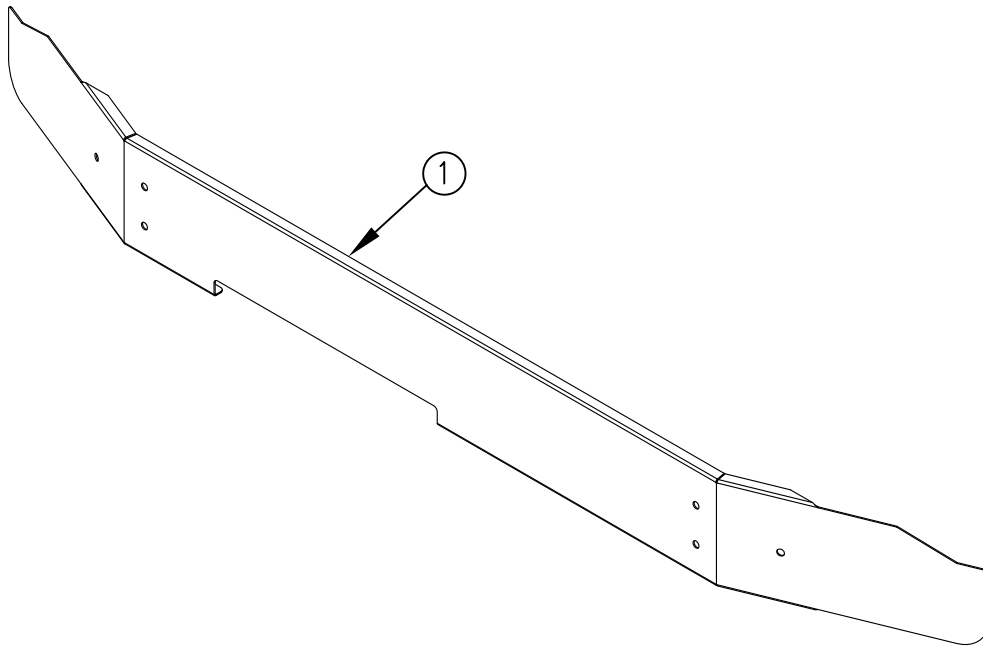


ITEM NO.	QTY.	PART NO.	DESCRIPTION
1	1	011362	CANTILEVER REAR COVER(CHEVROLET)
2	4	000509	3/8-16x1" HHCS GR5, ZP
3	2	000590	3/8-16x5" HHCS GR5, ZP
4	6	000553	3/8-16 LARGE FLNG LOCK NUT



				THIRD ANGLE PROJECTION		FILENAME:		WOODBINE MFG. CO.		
						SYMBOLY PER ANSI Y14.5		BUS BROWN DRIVE		
				DECIMAL 2PLC 3PLC		DRAWN BY.		NOTES:		
				MACHINE SAW, DRILL .030 .015		JCB		712-647-2050		
				SHEAR, PUNCH FORM .060 .030		DRAWN/DATE				
				TORCH, WELDING ROUGH CAST .090 .060		10/31/12				
A	10/31/12	RELEASED TO PRODUCTION		JCB	770	APPVD/DATE		THE INFORMATION HERE IS CONFIDENTIAL AND MUST NOT BE USED IN ANYWAY DETRIMENTAL TO THE INTEREST OF WOODBINE MFG.		
REV.	DATE	CHANGE RECORD		BY	APPVD	ECN	SALES CATEGORY	PRODUCT LINE	TITLE	
				DRAFT 2'		ANGULAR ±1'		SCALE	FIN. WT.	PART NO.
								1:10		13182