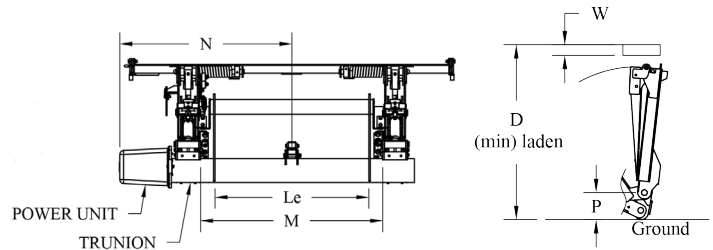
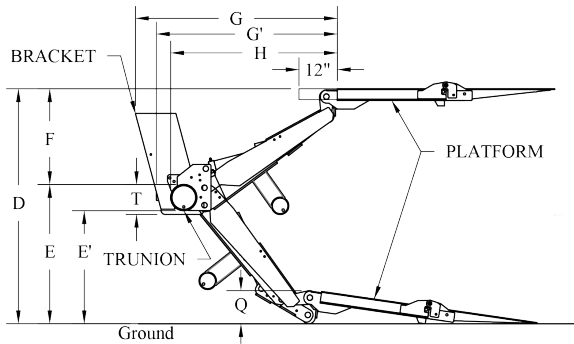


**TKT MOUNTING LOCATION GUIDE 2500-3500 LBS**

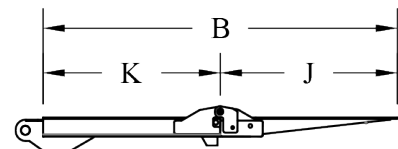
D - Bed Height	E	E'	F	G	G'	H	Le		Q	M	N	T	P	W
							max	min	max		min			
40	22	16	18	49.00	44.25	41.00	32.0	43.0	7.6	46.0	43.5	6.0	6.0	2.7
41	22	16	19	48.50	43.75	40.50								
42	22	16	20	48.00	43.25	40.00								
43	22	16	21	47.25	42.50	39.25								
44	22	16	22	46.50	41.75	38.50								
45	22	16	23	45.75	41.00	37.75								
46	23	17	23	45.75	41.00	37.75								
47	24	18	23	45.75	41.00	37.75								
48	25	19	23	45.75	41.00	37.75								
49	26	20	23	45.75	41.00	37.75								
50	27	21	23	45.75	41.00	37.75								
51	28	22	23	45.75	41.00	37.75								
52	29	23	23	45.75	41.00	37.75								
53	30	24	23	45.75	41.00	37.75								
54	31	25	23	45.75	41.00	37.75								

**IMPORTANT**

- All dimensions in inches.
- Dimensions may vary depending on mounting requirements.
- G: distance between platform and the end of the bracket.
- G': distance between the platform and the end of the power unit
- H: distance between the platform and the back of the trunion. (H=G-5")



Minimum Bed Height				
Model	Platform Length (B)	J	K	Minimum Bed Height (D)
TP50 and EA50	50"	25"	25"	40"
TP60 and EA 60	60"	30"	30"	45"



Tommy Gate® liftgates are industrial products for material handling only and are not to be used as personnel or wheelchair lifts. For safe handling and operating instructions, visit [www.tommygate.com](http://www.tommygate.com).