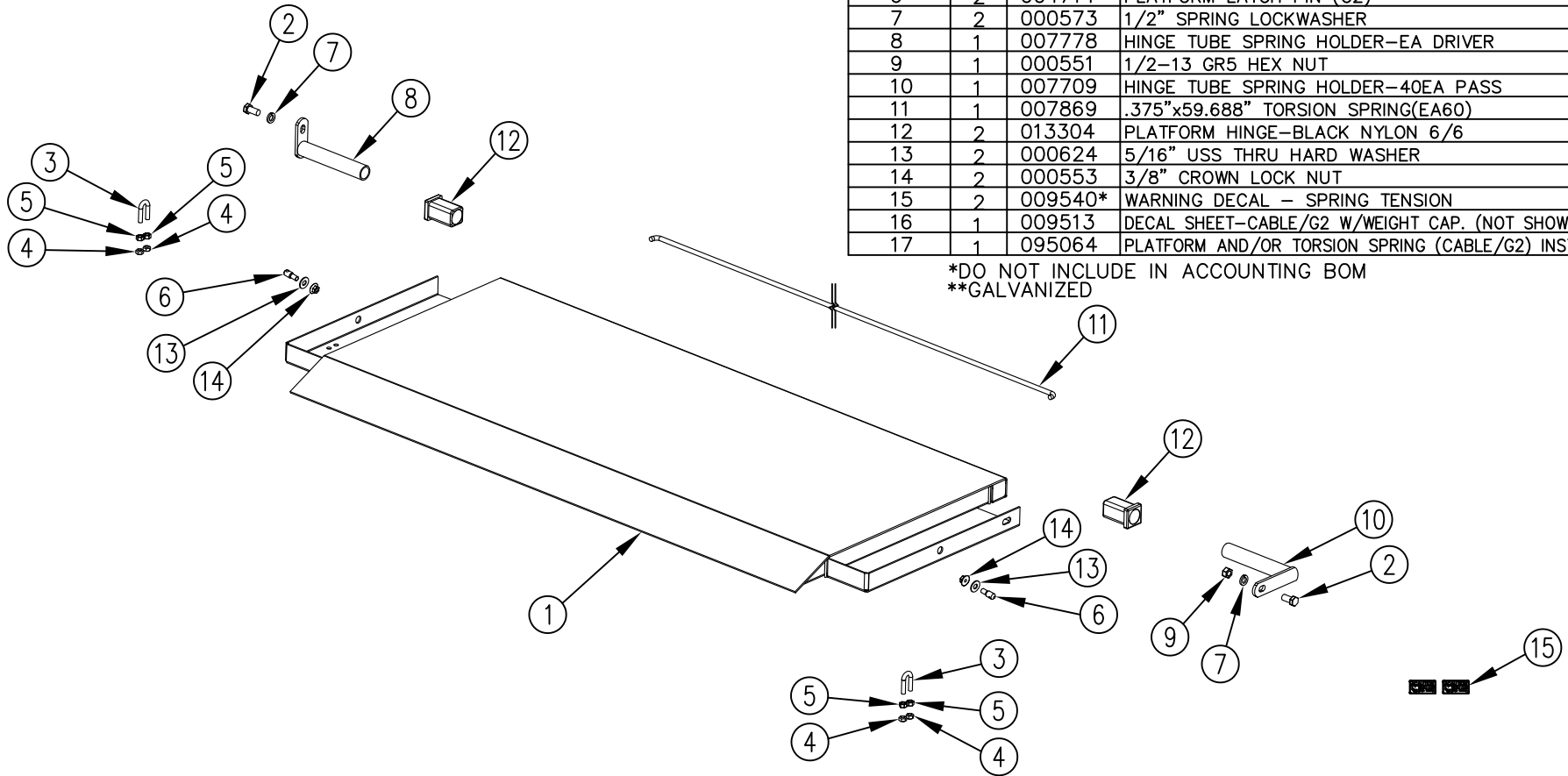


ITEM NO.	QTY.	PART NO.	DESCRIPTION
1	1	001590**	G2 60-42 26" TT PLATFORM
2	2	000587	1/2-13x1" HHCS GR5
3	2	004727	3/8"U-BOLT(SHORT)x16x7/8x1-1/2
4	4	000605	3/8-16 USS CROWN LOCK NUT
5	4	000550	3/8-16 GR5 HEX NUT
6	2	004714	PLATFORM LATCH PIN (G2)
7	2	000573	1/2" SPRING LOCKWASHER
8	1	007778	HINGE TUBE SPRING HOLDER-EA DRIVER
9	1	000551	1/2-13 GR5 HEX NUT
10	1	007709	HINGE TUBE SPRING HOLDER-40EA PASS
11	1	007869	.375"x59.688" TORSION SPRING(EA60)
12	2	013304	PLATFORM HINGE-BLACK NYLON 6/6
13	2	000624	5/16" USS THRU HARD WASHER
14	2	000553	3/8" CROWN LOCK NUT
15	2	009540*	WARNING DECAL - SPRING TENSION
16	1	009513	DECAL SHEET-CABLE/G2 W/WEIGHT CAP. (NOT SHOWN)
17	1	095064	PLATFORM AND/OR TORSION SPRING (CABLE/G2) INSTR.



*DO NOT INCLUDE IN ACCOUNTING BOM
 **GALVANIZED

NOTES: APPLY DECALS FROM 9513 SHEET SAME AS PRODUCTION
 SEND (2) 9540 LOOSE

				THIRD ANGLE PROJECTION		FILENAME:		WOODBINE MFG. CO. BUS BROWN DRIVE WOODBINE, IOWA 51579					
						SYMBOLY PER ANSI Y14.5		NOTES:					
				DECIMAL 2PLC 3PLC		DRAWN BY:							
				MACHINE SAW, DRILL .030 .015		AAS		THE INFORMATION HERE IS CONFIDENTIAL AND MUST NOT BE USED IN ANYWAY DETRIMENTAL TO THE INTEREST OF WOODBINE MFG.					
				SHEAR, PUNCH FORM .060 .030		DRAWN/DATE							
				TORCH, WELDING ROUGH CAST .090 .060		9/6/24		APPVD/DATE		TITLE			
A	9/6/24	RELEASED TO PRODUCTION		AAS	3051	APPVD/DATE		G2 60 27+0+4 TT REPLACEMENT PLATFORM GALVANIZED					
REV.	DATE	CHANGE RECORD		BY	APPVD	ECN	DRAFT 2"	ANGULAR ±1"	SALES CATEGORY	PRODUCT LINE	SCALE 1:14	FIN. WT.	PART NO. 18324