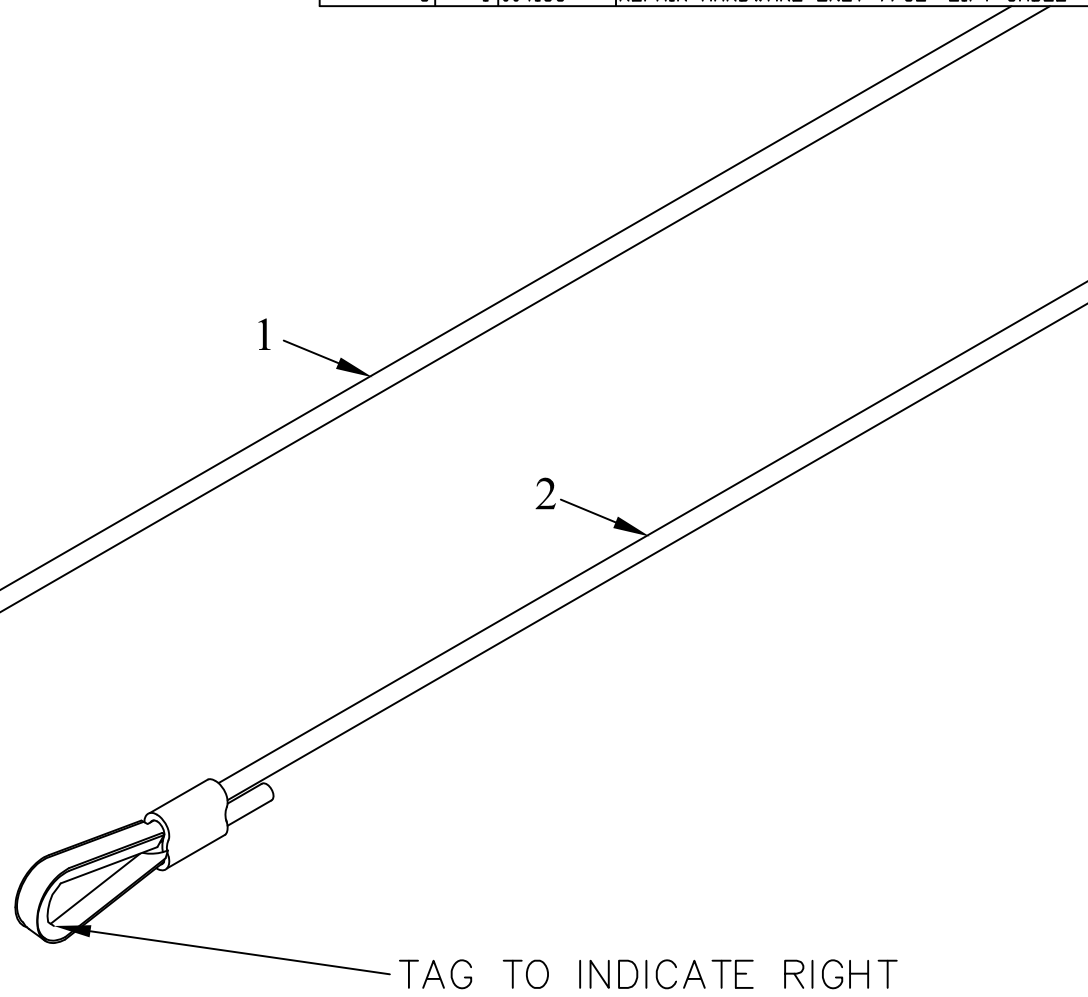
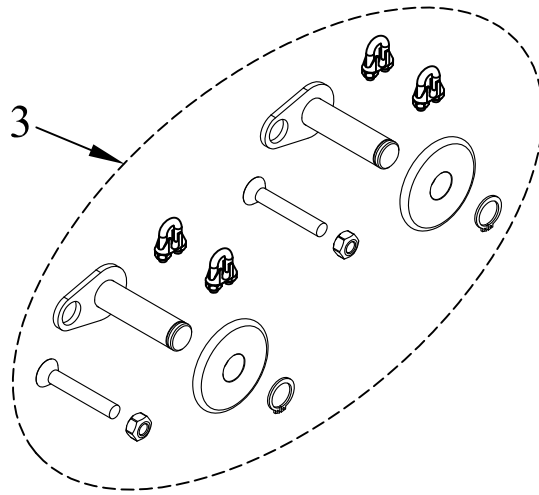


ITEM NO.	QTY.	PART NO.	DESCRIPTION
1	1	004598	7/32"x22.75FT CABLE ASY(91-48 LONG)
2	1	004605	7/32"x15.08FT CABLE ASY (91-48 SHORT)
3	1	004163	REPAIR HARDWARE ONLY-7/32" LIFT CABLE



TAG TO INDICATE LEFT

TAG TO INDICATE RIGHT

REV.	DATE	CHANGE RECORD	BY	APPVD	ECN	DRAFT 2"	ANGULAR ±1°	SALES CATEGORY	PRODUCT LINE	SCALE N	FIN. WT.	PART NO. 2939
C	2/23/10	UPDATED GRAPHIC FOR 4163 AND CHANGED QTY TO ONE (1)	MTC		270							
B	2/3/10	REMOVED (2) 4769 (4) 4741; ADDED (2) 4163	JCB		262							

THIRD ANGLE PROJECTION	FILENAME:	WOODBINE MFG. CO. BUS BROWN DRIVE WOODBINE, IOWA 51579
	SYMBOLY PER ANSI Y14.5	712-647-2050
DECIMAL	2PLC	3PLC
MACHINE SAW, DRILL	.030	.015
SHEAR, PUNCH FORM	.060	.030
TORCH, WELDING ROUGH CAST	.090	.060
	DRAWN BY: LSB	NOTES:
	DRAWN/DATE: 1/27/09	
	APPVD/DATE	
	TITLE: UNIVERSAL SET OF 7/32" REPAIR CABLES	
		THE INFORMATION HERE IS CONFIDENTIAL AND MUST NOT BE USED IN ANYWAY DETRIMENTAL TO THE INTEREST OF WOODBINE MFG.

