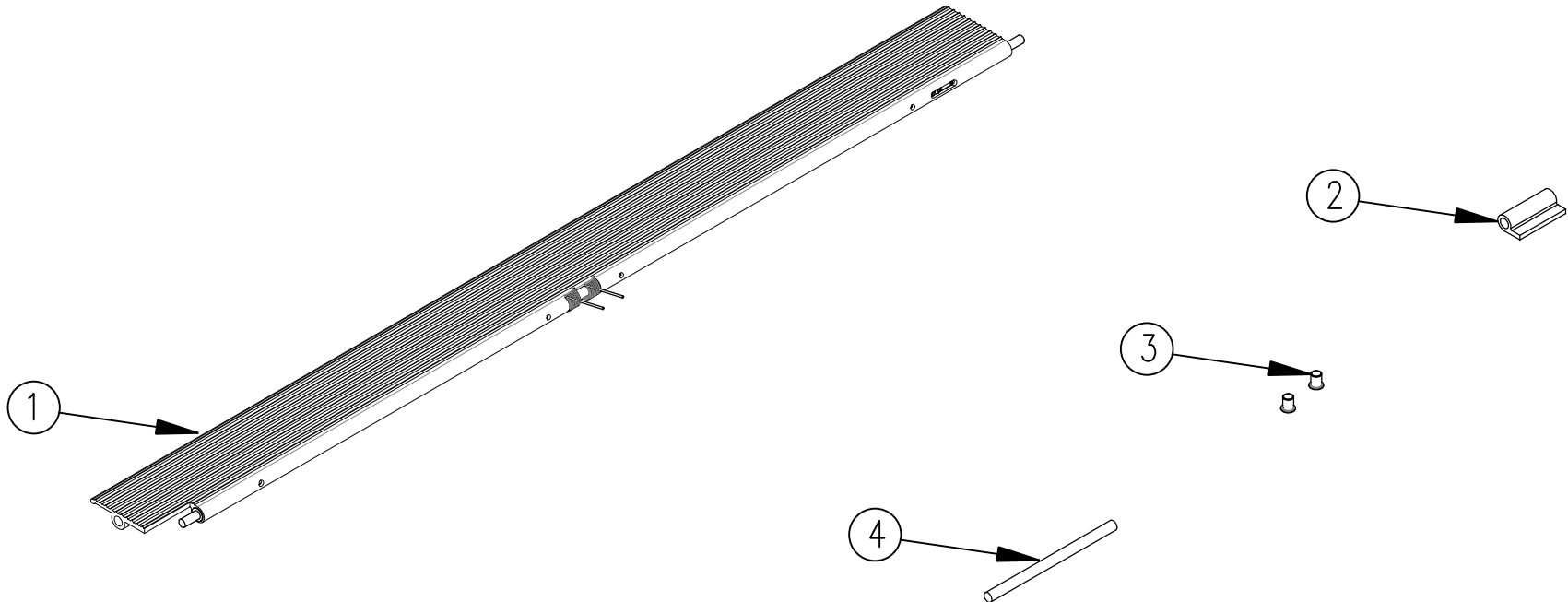


ITEM NO.	QTY.	PART NO.	DESCRIPTION
1	1	014464	CART STOP FLIPPER ASSEMBLY (TKT) RIGHT
2	1	013418	CART STOP HALF BUSHING
3	2	014465	3/8" x 5/16" x 1/2" PLASTIC FLANGE BUSHING
4	1	013532	.38"DIA.x6"STAINLESS STEEL ROD
5	1	095179	REMOVABLE CART STOP (IN TAPER) REPL. INSTR.



REV.	DATE	CHANGE RECORD	BY	APPVD	ECN	DRAFT 2"	ANGULAR ±1"	SCALE 1:6	FIN. WT.	PART NO. 14328
C	5/6/16	ADDED PN013532	MTC		1633					
B	8/7/15	REMOVED 11664, 11665, 10646, 10373, AND 95124; ADDED 14464, 14465, AND 95179	GDB		1331					
A	3/5/15	RELEASED TO PRODUCTION	GDB		1338					

THIRD ANGLE PROJECTION

SYMBOLY PER ANSI Y14.5

NOTES:

DECIMAL MACHINE SAW, DRILL .030 .015

2PLC 3PLC

SHEAR, PUNCH FORM .060 .030

TORCH, WELDING ROUGH CAST .090 .060

DRAWN BY: GDB

DRAWN/DATE: 3/5/15

TITLE: REPLACEMENT TKT RIGHT CART STOP

WOODBINE MFG. CO.
BUS BROWN DRIVE
WOODBINE, IOWA 51579

The original
TOMMY GATE
hydraulic lift

THE INFORMATION HERE IS CONFIDENTIAL AND MUST NOT BE USED IN ANYWAY DETRIMENTAL TO THE INTEREST OF WOODBINE MFG.