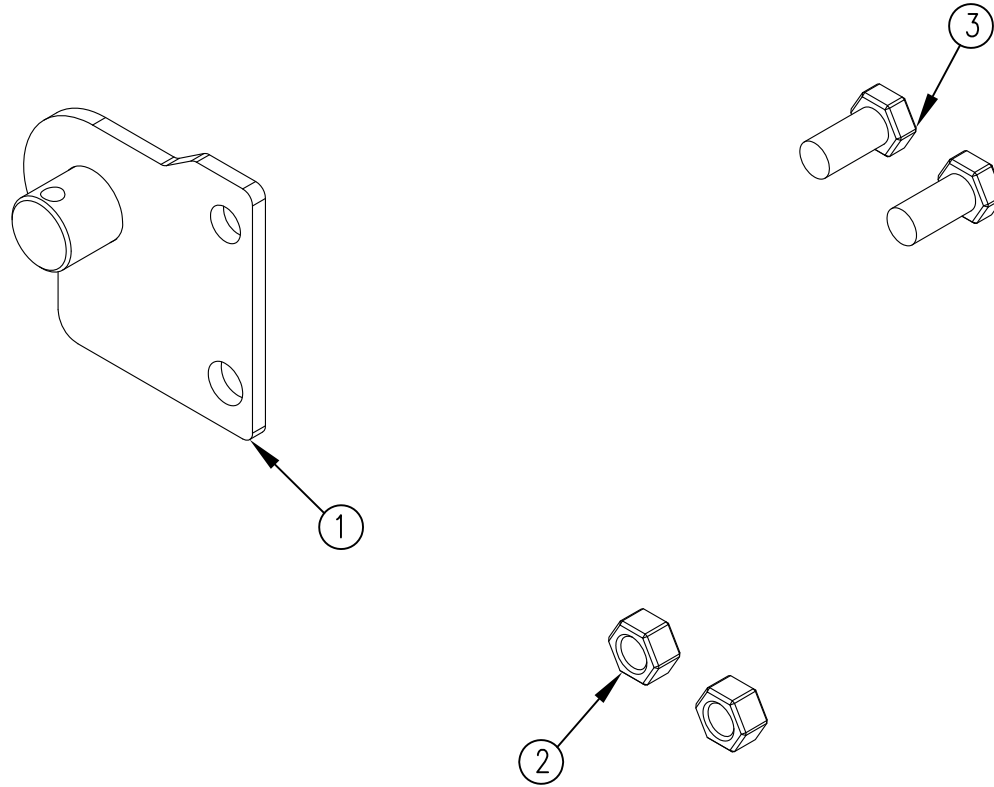


ITEM NO.	QTY.	PART NO.	DESCRIPTION
1	1	014665	HC GBR SLIDER PIVOT PLATE WELDMENT-RIGHT SIDE
2	2	000550	3/8-16 GR5 HEX NUT
3	2	000509	3/8-16x1" HHCS GR5



				THIRD ANGLE PROJECTION			FILENAME:		WOODBINE MFG. CO. BUS BROWN DRIVE WOODBINE, IOWA 51579																	
							SYMBOLY PER ANSI Y14.5				NOTES: <hr/> <hr/> <hr/> <hr/>															
				<table border="1"> <tr> <th>DECIMAL</th> <th>2PLC</th> <th>3PLC</th> </tr> <tr> <td>MACHINE SAW, DRILL</td> <td>.030</td> <td>.015</td> </tr> <tr> <td>SHEAR, PUNCH FORM</td> <td>.060</td> <td>.030</td> </tr> <tr> <td>TORCH, WELDING ROUGH CAST</td> <td>.090</td> <td>.060</td> </tr> </table>			DECIMAL	2PLC					3PLC	MACHINE SAW, DRILL	.030	.015	SHEAR, PUNCH FORM	.060	.030	TORCH, WELDING ROUGH CAST	.090	.060	DRAWN BY: AAS			
DECIMAL	2PLC	3PLC																								
MACHINE SAW, DRILL	.030	.015																								
SHEAR, PUNCH FORM	.060	.030																								
TORCH, WELDING ROUGH CAST	.090	.060																								
B 4/4/18				ADDED (1) 550, (1) 509			AAS		<small>THE INFORMATION HERE IS CONFIDENTIAL AND MUST NOT BE USED IN ANYWAY DETRIMENTAL TO THE INTEREST OF WOODBINE MFG.</small>																	
A 11/10/17				RELEASED TO PRODUCTION			AAS																			
REV.				DATE			CHANGE RECORD				BY APPVD ECN															
							DRAFT 2'				ANGULAR ±1'															
							SALES CATEGORY		PRODUCT LINE		SCALE 1:8															
							APPVD/DATE		TITLE		FIN. WT.															
							DRAWN/DATE 11/10/17		REPLACEMENT GBR PIVOT PLATE HC-RIGHT SIDE		PART NO. 15346															