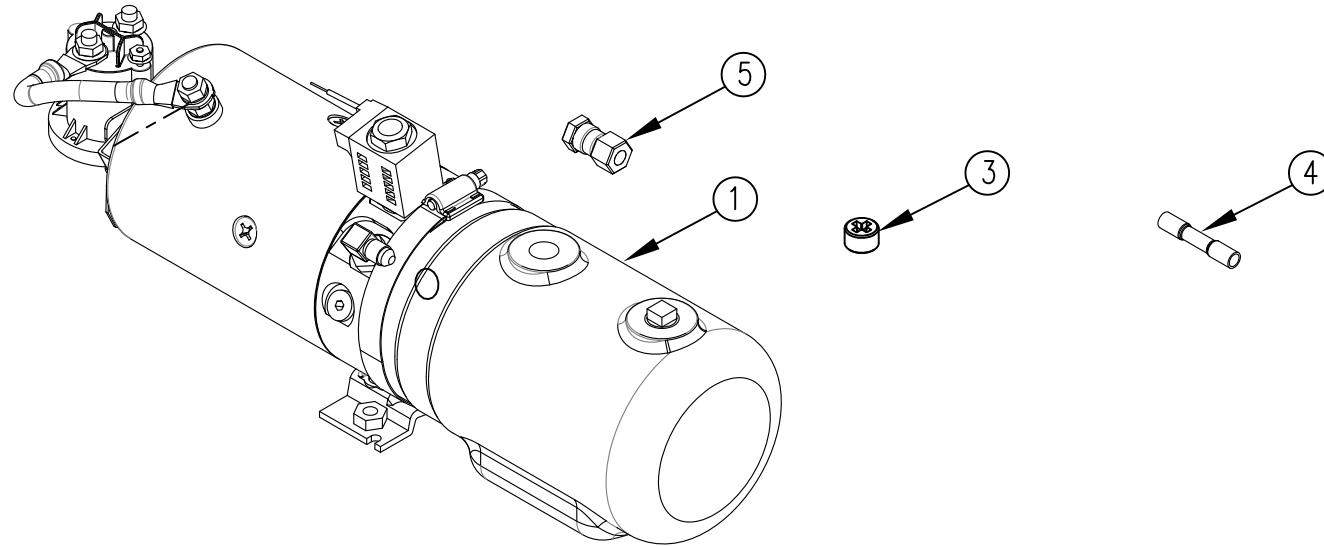


ITEM NO.	QTY.	PART NO.	DESCRIPTION
1	1	004337	MONARCH UNIT 319-0314 1.5QT(3800)1000
2	0.335 GAL	009034	HYDRAULIC OIL
3	1	004403*	VENT PLUG
4	1	009089	16-14 HEAT SHRINK BUTT CONNECTOR
5	1	012967	#4 FJIC TO #4 FEMALE NPT ADAPTOR (6506-4-4)
6	1	095048	REPLACEMENT POWER UNIT INSTALLATION INSTR.

* ACCOUNTING DO NOT USE FOR B.O.M.



REV.	DATE	CHANGE RECORD	BY	APPVD	ECN	THIRD ANGLE PROJECTION	FILENAME:	SYMBOLY PER ANSI Y14.5	NOTES:	WOODBINE MFG. CO. BUS BROWN DRIVE WOODBINE, IOWA 51579																	
D	11/14/13	ADDED (1) 012967	GDB		1004					712-647-2050																	
C	7/23/10	CHANGED QTY OF 9034 FROM 0.375 TO 0.335; ADDED (1) 9089 AND (1) 95048	JCB		310	<table border="1"> <tr> <td>DECIMAL</td> <td>2PLC</td> <td>3PLC</td> </tr> <tr> <td>MACHINE SAW, DRILL</td> <td>.030</td> <td>.015</td> </tr> <tr> <td>SHEAR, PUNCH FORM</td> <td>.060</td> <td>.030</td> </tr> <tr> <td>TORCH, WELDING ROUGH CAST</td> <td>.090</td> <td>.060</td> </tr> </table>	DECIMAL	2PLC	3PLC	MACHINE SAW, DRILL	.030	.015	SHEAR, PUNCH FORM	.060	.030	TORCH, WELDING ROUGH CAST	.090	.060	<table border="1"> <tr> <td>DRAWN BY.</td> <td>DJR</td> </tr> <tr> <td>DRAWN/DATE</td> <td>6/30/04</td> </tr> <tr> <td>APPVD/DATE</td> <td></td> </tr> </table>	DRAWN BY.	DJR	DRAWN/DATE	6/30/04	APPVD/DATE			<p>THE INFORMATION HERE IS CONFIDENTIAL AND MUST NOT BE USED IN ANYWAY DETRIMENTAL TO THE INTEREST OF WOODBINE MFG.</p>
DECIMAL	2PLC	3PLC																									
MACHINE SAW, DRILL	.030	.015																									
SHEAR, PUNCH FORM	.060	.030																									
TORCH, WELDING ROUGH CAST	.090	.060																									
DRAWN BY.	DJR																										
DRAWN/DATE	6/30/04																										
APPVD/DATE																											
B	10/30/09	UPDATED GRAPHIC-NEW STYLE SOLENOID	MTC																								
						<table border="1"> <tr> <td>DRAFT</td> <td>ANGULAR</td> </tr> <tr> <td>2"</td> <td>±1"</td> </tr> </table>	DRAFT	ANGULAR	2"	±1"	SALES CATEGORY	PRODUCT LINE	SCALE	FIN. WT.	PART NO.												
DRAFT	ANGULAR																										
2"	±1"																										
									1:4			4360															