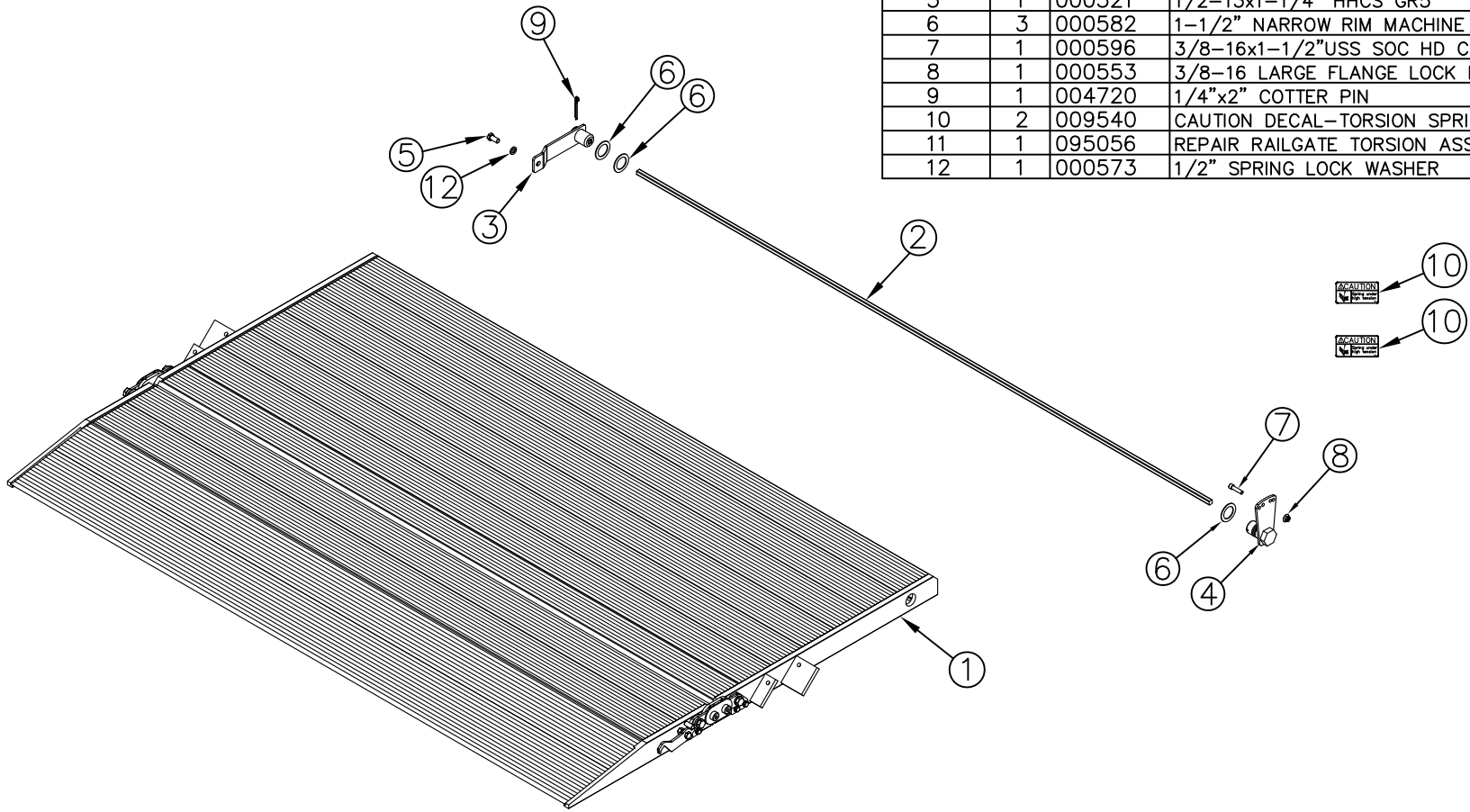

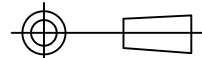


ITEM NO.	QTY.	PART NO.	DESCRIPTION
1	1	012672	89 35+10+12 ALUM RFOLD PLATFORM COMPLETE(1P)
2	1	005232	1/2"SQ.X90-3/4" RAIL TORSION SPRING(89)
3	1	012674	TORSION ARM RAIL (DR) 1/2 SQ ZINC PLATED
4	1	007265	1/2" RAIL TORSION SPRING HOLDER(PAS) ZINC
5	1	000521	1/2-13x1-1/4" HHCS GR5
6	3	000582	1-1/2" NARROW RIM MACHINE BUSHING
7	1	000596	3/8-16x1-1/2"USS SOC HD CAP
8	1	000553	3/8-16 LARGE FLANGE LOCK NUT
9	1	004720	1/4"x2" COTTER PIN
10	2	009540	CAUTION DECAL-TORSION SPRING
11	1	095056	REPAIR RAILGATE TORSION ASSIST SPRING INSTR.
12	1	000573	1/2" SPRING LOCK WASHER



REV.	DATE	CHANGE RECORD	BY	APPVD	ECN	DRAFT	ANGULAR	SALES CATEGORY	PRODUCT LINE	SCALE	FIN. WT.	PART NO.		
E	1/7/13	12672 WAS 6840, 12674 WAS 7767, 521 WAS 736, ADDED (1) 573, ADDED (1) 582	GDB		805	2'	±1°							
D	3/24/11	REPLACED 6238 WITH 7767	JCB		426									
C	4/23/10	REPLACED TORSION SPRING KIT WITH INDIVIDUAL PARTS	JCB		293									
B	5/19/09	UPDATED GRAPHIC AND WEIGHT	JCB	JCB										
A	8/19/08	DRAWN IN AUTOCAD	JCB	KGJ										
						THIRD ANGLE PROJECTION		FILENAME:		WOODBINE MFG. CO. BUS BROWN DRIVE WOODBINE, IOWA 51579 712-647-2050 				
								SYMBOLY PER ANSI Y14.5					NOTES: _____ _____ _____ _____	
						DECIMAL 2PLC 3PLC MACHINE SAW, DRILL .030 .015		DRAWN BY. JCB						
						SHEAR, PUNCH FORM .060 .030 TORCH, WELDING ROUGH CAST .090 .060		DRAWN/DATE 8/19/08						
								APPVD/DATE		TITLE REPLACEMENT 89 35+10+12 ALUMINUM R-FOLD PLAT. COMP.				
								SALES CATEGORY		SCALE 1:20		FIN. WT. 242.5		
												PART NO. 6420		

THE INFORMATION HERE IS CONFIDENTIAL AND MUST NOT BE USED IN ANYWAY DETRIMENTAL TO THE INTEREST OF WOODBINE MFG.