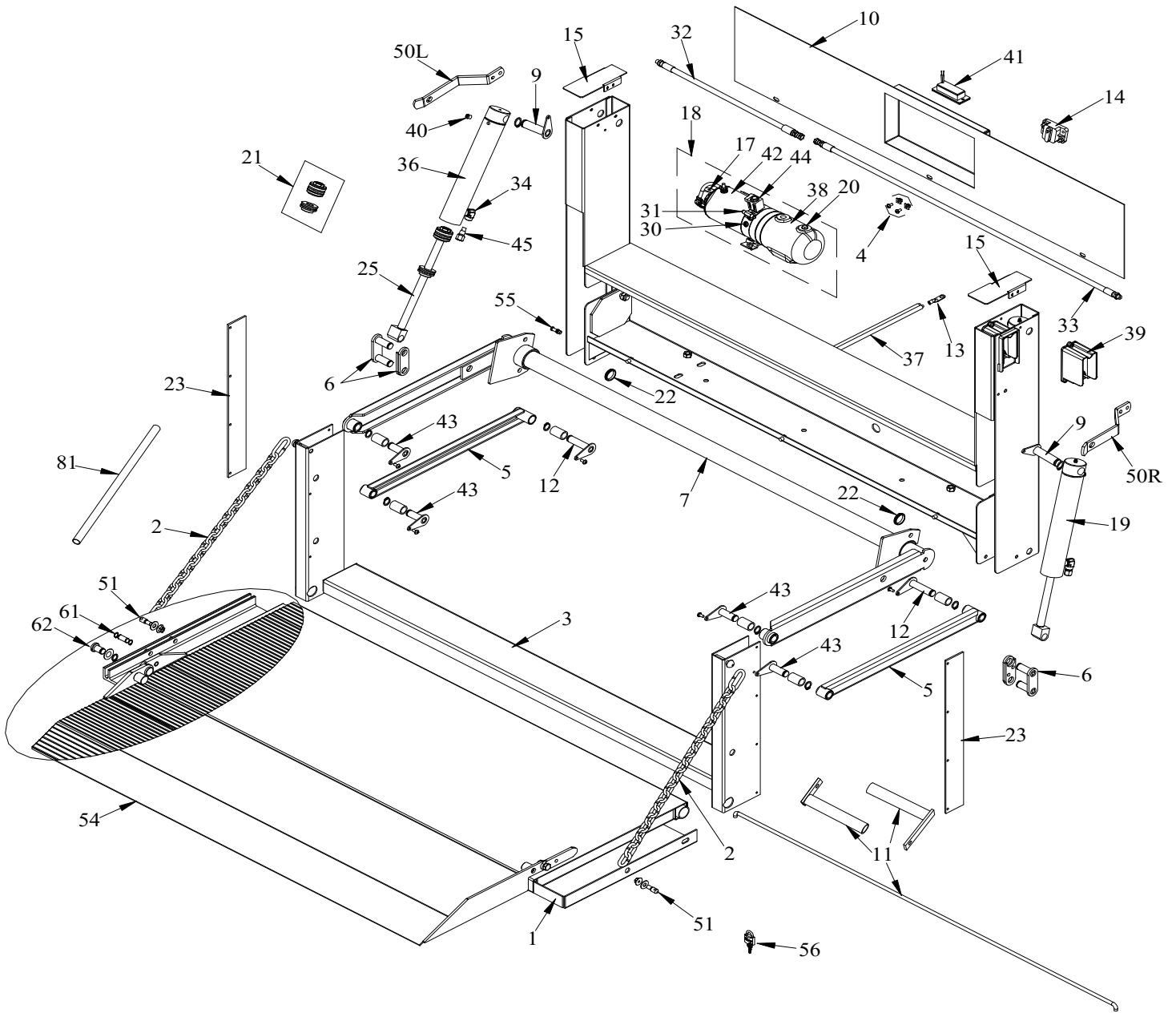


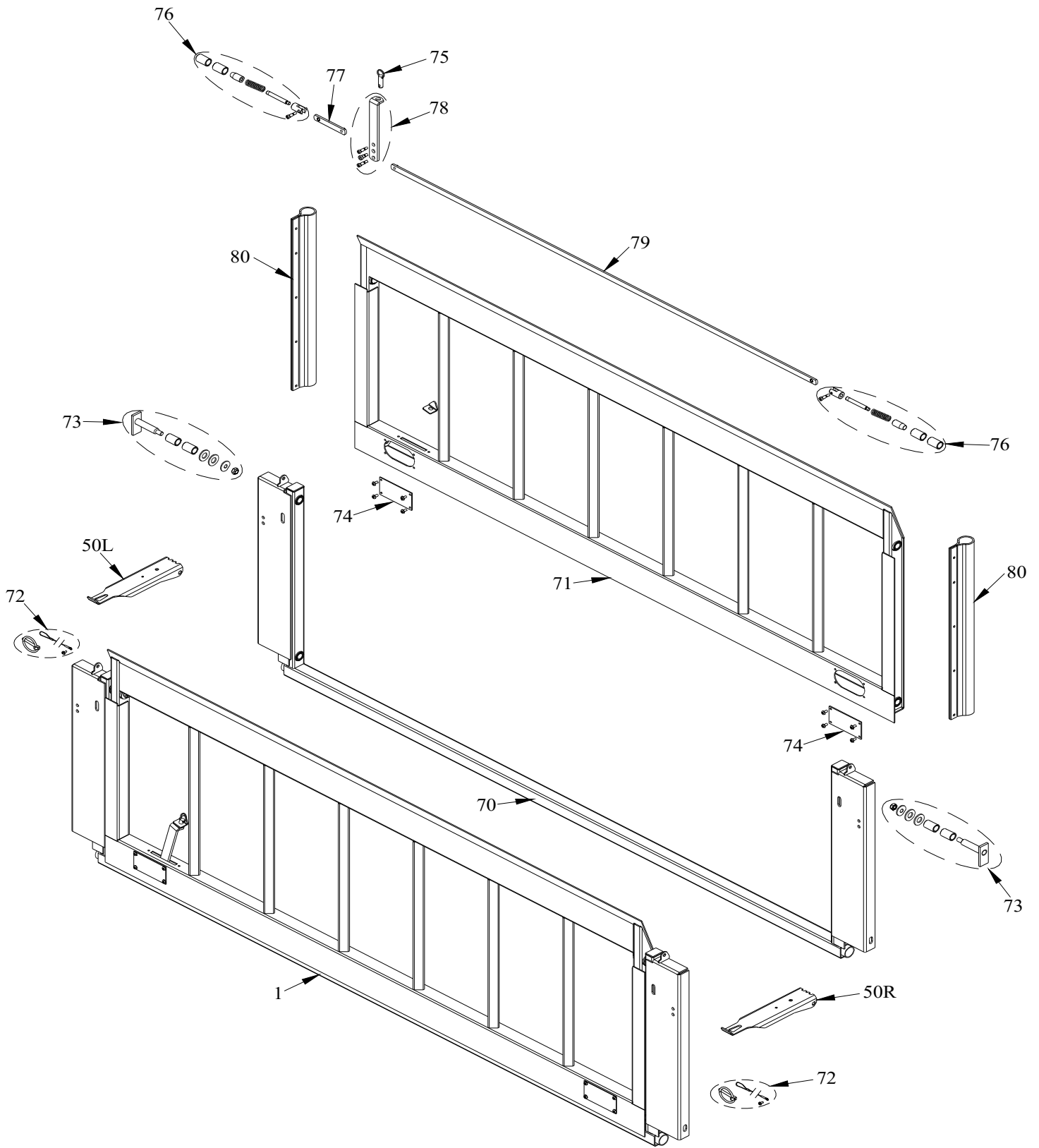
1350, 1650 AND 2050 SERIES G2 PARTS DRAWING

FOR MODELS 54, 60, 65, 73, 81, 87, 92



LND G2 PARTS DRAWING

FOR MODELS 73LD, 81LD, 87LD, 92LD



1350, 1650 & 2050 G2 SERIES PARTS LIST

Draw. Ref.	Part No.	Description	Qty Required	
1	016491	(54) G2 35" Treadplate Replacement Platform (1300-1600#)	1	
	017442	(54) 2000# G2 33+6 Tommy Traction Replacement Platform	1	
	014099	(60) 33+6 Tommy Traction Rhino Coated Replacement Platform	1	
	017443	(60) 2000# G2 33+6 Tommy Traction Replacement Platform	1	
	010280	(65) G2 35" Treadplate Replacement Platform	1	
	010281	(65) G2 41" Treadplate Replacement Platform	1	
	010282	(65) G2 37" Extruded Aluminum Replacement Platform	1	
	010283	(65) G2 41" Extruded Aluminum Replacement Platform	1	
	017444	(65) 2000# G2 33+6 Tommy Traction Replacement Platform	1	
	002585	(73) G2 35" Treadplate Replacement Platform	1	
	002590	(73) G2 41" Treadplate Replacement Platform	1	
	002591	(73) G2 37" Extruded Aluminum Replacement Platform	1	
	002599	(73) G2 41" Extruded Aluminum Replacement Platform	1	
	010452	(73) G2 Lift and Dump Replacement Platform	1	
	017445	(73) 2000# G2 33+6 Tommy Traction Replacement Platform	1	
	002523	(81) G2 35" Treadplate Replacement Platform	1	
	002524	(81) G2 41" Treadplate Replacement Platform	1	
	002525	(81) G2 37" Extruded Aluminum Replacement Platform	1	
	002526	(81) G2 41" Extruded Aluminum Replacement Platform	1	
	010453	(81) G2 Lift and Dump Replacement Platform	1	
	017446	(81) 2000# G2 33+6 Tommy Traction Replacement Platform	1	
	002527	(87) G2 35" Treadplate Replacement Platform (1300-1600#)	1	
	002528	(87) G2 41" Treadplate Replacement Platform (1300-1600#)	1	
	002529	(87) G2 37" Extruded Aluminum Replacement Platform	1	
	002530	(87) G2 41" Extruded Aluminum Replacement Platform	1	
	010454	(87) G2 Lift and Dump Replacement Platform	1	
	014612	(87) G2 33+6" Tommy Traction Replacement Platform (1300-1600#)	1	
	017447	(87) 2000# G2 33+6 Tommy Traction Replacement Platform	1	
	013929	(87) G2 33+6" Bargrate Replacement Platform (1300-1600#)	1	
	002531	(92) G2 35" Treadplate Replacement Platform (1300-1600#)	1	
	002532	(92) G2 41" Treadplate Replacement Platform (1300-1600#)	1	
	002533	(92) G2 37" Extruded Aluminum Replacement Platform	1	
	002534	(92) G2 41" Extruded Aluminum Replacement Platform	1	
	010455	(92) G2 Lift and Dump Replacement Platform	1	
	014219	(92) G2 33+6" Tommy Traction Replacement Platform (1300-1600#)	1	
	017448	(92) 2000# G2 33+6 Tommy Traction Replacement Platform	1	
	017746	(92) 2000# G2 35+6 Treadplate Replacement Platform	1	
	017779	(92) G2 33+6" Bargrate Galvanized Replacement Platform (1300-1600#)	1	
	013627	(92) G2 33+6" Bargrate Replacement Platform (1300-1600#)	1	
	2	013649	35+6TP, 33+6TT, & 33+6BG Platform Replacement Chain	2
		013650	37+6EA & 41+6EA Replacement Platform Chain	2
		013651	41+6TP Replacement Platform Chain	2
	3	013632	60-50 G2 Replacement Sub Assembly (1300-1600#)	1
010284		65-50 G2 Replacement Sub Assembly (1300-1600#)	1	
002535		73-50 G2 Replacement Sub Assembly (1300-1600#)	1	
002536		81-50 G2 Replacement Sub Assembly (1300-1600#)	1	
002537		87-50 G2 Replacement Sub Assembly (1300-1600#)	1	
002538		92-50 G2 Replacement Sub Assembly (1300-1600#)	1	
010456		73LD G2 Replacement Sub Assembly (1300-1600#)	1	
010457		81LD G2 Replacement Sub Assembly (1300-1600#)	1	
010458		87LD G2 Replacement Sub Assembly (1300-1600#)	1	
010459		92LD G2 Replacement Sub Assembly (1300-1600#)	1	
017428		54-50 2000# G2 Replacement Sub Assembly	1	
017429		60-50 2000# G2 Replacement Sub Assembly	1	
017430		65-50 2000# G2 Replacement Sub Assembly	1	
017431		73-50 2000# G2 Replacement Sub Assembly	1	
017432		81-50 2000# G2 Replacement Sub Assembly	1	
017433		87-50 2000# G2 Replacement Sub Assembly	1	
017434	92-50 2000# G2 Replacement Sub Assembly	1		
4	001111	License Plate Mount Kit	1	
5	002539	G2 (50) Replacement Lower Arm w/Pins & Bushings	2	
	014907	G2 (50) Galvanized Replacement Lower Arm w/Pins & Bushings	2	
6	002540	G2 (50) Replacement Clevis Cylinder Assembly	2	

1350, 1650 & 2050 G2 SERIES PARTS LIST

Draw. Ref.	Part No.	Description	Qty Required
7	018191	54-50 G2 Replacement Upper Arm Assembly (1300-1600#)	1
	013633	60-50 G2 Replacement Upper Arm Assembly (1300-1600#)	1
	010285	65-50 G2 Replacement Upper Arm Assembly (1300-1600#)	1
	002541	73-50 G2 Replacement Upper Arm Assembly (1300-1600#)	1
	002542	81-50 G2 Replacement Upper Arm Assembly (1300-1600#)	1
	002543	87-50 G2 Replacement Upper Arm Assembly (1300-1600#)	1
	002544	92-50 G2 Replacement Upper Arm Assembly (1300-1600#)	1
	017435	54-50 2000# G2 Replacement Upper Arm Assembly	1
	017436	60-50 2000# G2 Replacement Upper Arm Assembly	1
	017437	65-50 2000# G2 Replacement Upper Arm Assembly	1
	017438	73-50 2000# G2 Replacement Upper Arm Assembly	1
	017439	81-50 2000# G2 Replacement Upper Arm Assembly	1
	017440	87-50 2000# G2 Replacement Upper Arm Assembly	1
	017441	92-50 2000# G2 Replacement Upper Arm Assembly	1
9	002180	7/8" Replacement G2 Upright Back Cylinder Pin	2
10	004837	Replacement Box Cover (54 G2)	1
	013662	Replacement Box Cover (60G2)	1
	014908	Replacement Galvanized Box Cover (60G2)	1
	010286	Replacement Box Cover (65G2)	1
	002549	Replacement Box Cover (73G2)	1
	015283	Replacement Box Cover (75G2)	1
	002551	Replacement Box Cover (81G2)	1
	002553	Replacement Box Cover (87G2)	1
	018126	Replacement Galvanized Box Cover (87G2) Stellar Spec	1
002555	Replacement Box Cover (92G2)	1	
11	008025	Torsion Spring Kit (54)	1
	008026	Torsion Spring Kit (60)	1
	010288	Torsion Spring Kit (65) Steel Platform	1
	008085	EA Torsion Spring Kit (65)	1
	008028	Torsion Spring Kit (73) Steel Platform	1
	008116	EA Torsion Spring Kit (73)	1
	008117	SQ. Torsion Spring Kit (81)	1
	008029	EA Torsion Spring Kit (81)	1
	008118	SQ. Torsion Spring Kit (87) Excludes 2000# TP	1
	017454	SQ. Torsion Spring Kit (87) 2000# TP	1
	008032	EA Torsion Spring Kit (87)	1
	008119	SQ. Torsion Spring Kit (92) Excludes 2000# TP	1
	017424	SQ. Torsion Spring Kit (92) 2000# TP	1
008033	EA Torsion Spring Kit (92)	1	
12	002181	3/4" Replacement G2 Upright Back Arm Pin & Bushing	2
13	000992	Replacement Copper Lug	6
14	000998	Replacement 150 Amp Manual Reset Circuit Breaker	1
15	002015	Replacement G2 Upright Cap	2
17	000967	Replacement Raise Solenoid-3 Post	1
18	018380	Replacement 1350 G2 54-50 Pump & Motor Unit (2300psi)	1
	018383	Replacement 1350 G2 54-50 24V Pump & Motor Unit (2300psi)	1
	018393	Replacement 1350 G2 54-50 Pump & Motor Unit w/ Winter Grade Oil (2300psi)	1
	018409	Replacement 1350 G2 54-50 24V Pump & Motor Unit w/Winter Grade Oil (2300psi)	1
	013265	Replacement 1350 G2 Pump & Motor Unit (2300psi)	1
	018385	Replacement 1350 G2 24V Pump & Motor Unit (2300psi)	1
	018109	Replacement 1350 G2 Pump & Motor Unit w/Winter Grade Oil (2300psi)	1
	018406	Replacement 1350 G2 24V Pump & Motor Unit w/Winter Grade Oil (2300psi)	1
	018381	Replacement 1650 G2 54-50 Pump & Motor Unit (2500psi)	1
	018384	Replacement 1650 G2 54-50 24V Pump & Motor Unit (2500psi)	1
	018394	Replacement 1650 G2 54-50 Pump & Motor Unit w/Winter Grade Oil (2500psi)	1
	018410	Replacement 1650 G2 54-50 24V Pump & Motor Unit w/Winter Grade Oil (2500psi)	1
	002558	Replacement 1650 G2 Pump & Motor Unit (2500psi)	1
	000874	Replacement 1650 G2 24V Pump & Motor Unit (2500psi)	1
	018396	Replacement 1650 G2 Pump & Motor Unit w/Winter Grade Oil (2500psi)	1
	018407	Replacement 1650 G2 24V Pump & Motor Unit w/Winter Grade Oil (2500psi)	1
	018382	Replacement 2050 G2 54-50 Pump & Motor Unit (3100psi)	1
	018293	Replacement 2050 G2 54-50 24V Pump & Motor Unit (3100psi)	1
	018395	Replacement 2050 G2 54-50 Pump & Motor Unit w/Winter Grade Oil (3100psi)	1
	018411	Replacement 2050 G2 54-50 24V Pump & Motor Unit w/Winter Grade Oil (3100psi)	1
	016360	Replacement 2050 G2 Pump & Motor Unit (3100psi)	1
	018290	Replacement 2050 G2 24V Pump & Motor Unit (3100psi)	1
	018463	Replacement 2050 G2 Pump & Motor Unit w/Winter Grade Oil (3100psi)	1
	018408	Replacement 2050 G2 24 V Pump & Motor Unit w/Winter Grade Oil (3100psi)	1

1350, 1650 & 2050 G2 SERIES PARTS LIST

Draw. Ref.	Part No.	Description	Qty Required
19	002559	Replacement G2 Cylinder (50)	2
20	000989	Replacement Vent Plug	1
21	001138	G2 Cylinder Repair Kit	2
22	000972	Replacement Split Plastic Grommet Kit	2
23	002560	Replacement G2 Sub Assembly Belting (50)	2
25	002561	Replacement G2 Cylinder Shaft Complete (50)	2
30	000973	Replacement Monarch Lee Check Valve	1
31	000974	Replacement G2 T-Fitting (Pump & Motor)	1
32	002578	Replacement 1/4"x26-1/4" Hydraulic Hose-Left (G2)	1
33	000976	Replacement 1/4"x52" Hydraulic Hose-Right (54 & 60 G2)	1
	002579	Replacement 1/4"x66-3/4" Hydraulic Hose-Right (65-73G2)	1
	002580	Replacement 1/4"x80-3/4" Hydraulic Hose-Right (81-87G2)	1
	002581	Replacement 1/4"x85-3/4" Hydraulic Hose-Right (92G2)	1
34	000978	Replacement 1/4"x1/4"x90 Degree Steel Cylinder Elbow	2
37	004708	Replacement 4 Ga. 2 Wire Electric Cable w/Lugs-33 ft.	1
38	004355	Replacement 3qt. Monarch Plastic Tank (G2) **	1
39	000987	Replacement Fixed Control	1
40	000979	Replacement Vent Plug - Cylinder (Rail & G2)	2
41	010199	Replacement License Plate Light & Bracket (H1)	1
42	000958	Replacement 12 Volt Motor-Only (Monarch)**	1
43	002183	3/4" Replacement G2 Upright Front Arm Pin	4
44	009645	Release Solenoid External Assembly w/Connector	1
45	013360	Replacement Flow Control W/ O-ring (G2) (With Adaptor)	2
47	N/A	Replacement Pump (only) w/3qt. Tank 1650 G2 (2500psi) (Discontinued - See Drawing Ref 18)	1
50L	002583	G2 (50) Replacement Latch Kit-Left	1
	014914	G2 (50) Galvanized Replacement Latch Kit-Left	1
	010460	G2 (LD) Replacement Latch Kit-Left	1
50R	002584	G2 (50) Replacement Latch Kit-Right	1
	014915	G2 (50) Galvanized Replacement Latch Kit-Right	1
	010461	G2 (LD) Replacement Latch Kit-Right	1
51	002020	Replacement Platform Latch Pin Assembly (G2)	2
55	001010	G2 Replacement Drop Away Pin Assembly	1
56	000966	Replacement Padlock w/Keys	1
61	004712	EA Replacement Platform Chain Pin(1.079")	2
70	010462	G2 Replacement Outer Platform Assembly (73LD)	1
	010463	G2 Replacement Outer Platform Assembly (81LD)	1
	010464	G2 Replacement Outer Platform Assembly (87LD)	1
	010465	G2 Replacement Outer Platform Assembly (92LD)	1
71	009534	Replacement Platform Insert (73LD)	1
	009541	Replacement Platform Insert (81LD)	1
	009542	Replacement Platform Insert (87LD)	1
	009543	Replacement Platform Insert (92LD)	1
72	011701	Replacement Latch Pin & Lanyard (G2)	2
73	009492	Replacement LD Insert Pivot Pin Assembly	2
74	009494	Replacement LD Access Cover	2
75	000913	Replacement 1/2"Dia.x1" Cotterless Hitch Pin	1
76	009491	Replacement LD Insert Latch Pin Assembly	2
77	009504	Replacement Short Insert Link Assembly (LND)	1
78	009493	Replacement LD Insert Handle Assembly	1
79	009514	Replacement Long Insert Link Assembly (73LND)	1
	009517	Replacement Long Insert Link Assembly (81LND)	1
	009518	Replacement Long Insert Link Assembly (87LND)	1
	009519	Replacement Long Insert Link Assembly (92LND)	1
80	010466	Replacement G2 LD Sub Assembly Seal Belting Kit	2
81	006516	Replacement Cloth Chain Cover 29"	2
	006596	Replacement Cloth Chain Cover 38"	2
Misc.	018370	Replacement G2 Light Bar w/Light Holes(87)-US Spec Galvanized	

**Please provide the liftgate Model and Serial numbers when ordering repair parts.
 Note: The above prices are for standard equipment only. Call the factory for pricing of optional equipment or special