

DETAILED LIFTGATE DIMENSIONS



FLATBED, STAKE, & VAN BODY



			A	C	D	E	F	G	H	I
	Travel	Lifting Capacity	Platform Loading Width	Taper	Platform Loading Depth	Overall Platform Width	Height of Platform Above Mainframe	Height of Platform Above Upright	Clear Opening Between Uprights	Overall Frame Width
G2-54-XX50 TP35	50	50-1/4	6	35-3/8	58-3/8	33-15/16	7	49-5/8	55	
G2-60-XX50 TP35	50	56-1/4	6	35-3/8	64-3/8	33-15/16	7	55-5/8	61	
G2-60-XX50 TT33	50	56-1/4	6	33-3/8	64-3/8	31-7/8	5	55-5/8	61	
G2-60-XX50 EA37	50	55-5/8	6-7/32	37	65-3/8	35-3/4	8-13/16	55-5/8	61	
G2-60-XX50 EA41	50	55-5/8	6-7/32	41-7/16	65-3/8	40-1/2	13-5/8	55-5/8	61	
G2-65-XX50 TP35	50	61-7/8	6	35-3/8	70	33-15/16	7	61-1/4	66-3/4	
G2-65-XX50 TP41	50	61-7/8	6	41-5/16	70	39-15/16	13	61-1/4	66-3/4	
G2-65-XX50 TT33	50	61-7/8	6	33-3/8	70	31-7/8	5	61-1/4	66-3/4	
G2-65-XX50 EA37	50	60-3/16	6-7/32	37	70	35-3/4	8-13/16	61-1/4	66-3/4	
G2-65-XX50 EA41	50	60-3/16	6-7/32	41-7/16	70	40-1/2	13-5/8	61-1/4	66-3/4	
G2-65-XX50 BG33	50	62-1/2	6	33-3/8	70	32	5-1/16	61-1/4	66-3/4	
G2-73-XX50 TP35	50	68-1/8	6	35-3/8	76-1/4	33-15/16	7	67-1/2	73	
G2-73-XX50 TP41	50	68-1/8	6	41-5/16	76-1/4	39-15/16	13	67-1/2	73	
G2-73-XX50 TT33	50	68-1/8	6	33-3/8	76-1/4	31-7/8	5	67-1/2	73	
G2-73-XX50 EA37	50	66-1/2	6-7/32	37	76-1/4	35-3/4	8-13/16	67-1/2	73	
G2-73-XX50 EA41	50	66-1/2	6-7/32	41-7/16	76-1/4	40-1/2	13-5/8	67-1/2	73	
G2-73-XX50 BG33	50	68-3/8	6	33-3/8	76-1/4	32	5-1/16	67-1/2	73	
G2-81-XX50 TP35	50	76-5/8	6	35-3/8	84-3/4	33-15/16	7	76	81-1/2	
G2-81-XX50 TP41	50	76-5/8	6	41-5/16	84-3/4	39-15/16	13	76	81-1/2	
G2-81-XX50 TT33	50	76-5/8	6	33-3/8	84-3/4	31-7/8	5	76	81-1/2	
G2-81-XX50 EA37	50	75	6-7/32	37	84-3/4	35-3/4	8-13/16	76	81-1/2	
G2-81-XX50 EA41	50	75	6-7/32	41-7/16	84-3/4	40-1/2	13-5/8	76	81-1/2	
G2-81-XX50 BG33	50	76-7/8	6	33-3/8	84-3/4	32	5-1/16	76	81-1/2	
G2-87-XX50 TP35	50	82-1/8	6	35-3/8	90-1/4	33-15/16	7	81-1/2	87	
G2-87-XX50 TP41	50	82-1/8	6	41-5/16	90-1/4	39-15/16	13	81-1/2	87	
G2-87-XX50 TT33	50	82-1/8	6	33-3/8	90-1/4	31-7/8	5	81-1/2	87	
G2-87-XX50 EA37	50	80-1/2	6-7/32	37	90-1/4	35-3/4	8-13/16	81-1/2	87	
G2-87-XX50 EA41	50	80-1/2	6-7/32	41-7/16	90-1/4	40-1/2	13-5/8	81-1/2	87	
G2-87-XX50 BG33	50	82-3/4	6	33-3/8	90-1/4	32	5-1/16	81-1/2	87	

1300 & 1600 lb. Capacities

IMPORTANT

- *XX in the model number column denotes either capacity model number. Capacity does not affect physical dimensions.*
- *Please refer to the diagrams on page 3 for measurement locations.*

FLATBED, STAKE, & VAN BODY



				A	C	D	E	F	G	H	I
	Travel	Lifting Capacity	Platform Loading Width	Taper	Platform Loading Depth	Overall Platform Width	Height of Platform Above Mainframe	Height of Platform Above Upright	Clear Opening Between Uprights	Overall Frame Width	
G2-92-XX50 TP35	50	1300 & 1600 -lb. Capacity	87-1/8	6	35-3/8	95-1/4	33-15/16	7	86-1/2	92	
G2-92-XX50 TP41	50		87-1/8	6	41-5/16	95-1/4	39-15/16	13	86-1/2	92	
G2-92-XX50 TT33	50		87-1/8	6	33 3/8	95-1/4	31-7/8	5	86-1/2	92	
G2-92-XX50 EA37	50		85-1/2	6-7/32	37	95-1/4	35-3/4	8-13/16	86-1/2	92	
G2-92-XX50 EA41	50		85-1/2	6-7/32	41-7/16	95-1/4	40-1/2	13-5/8	86-1/2	92	
G2-92-XX50 BG33	50		87-3/8	6	33-3/8	95-1/4	32	5-1/16	86-1/2	92	

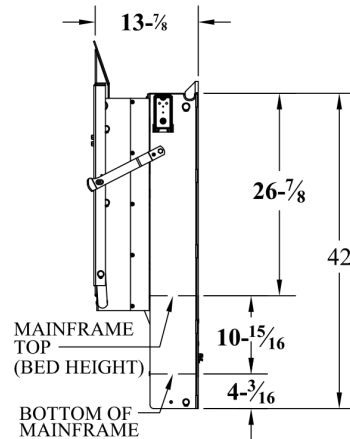
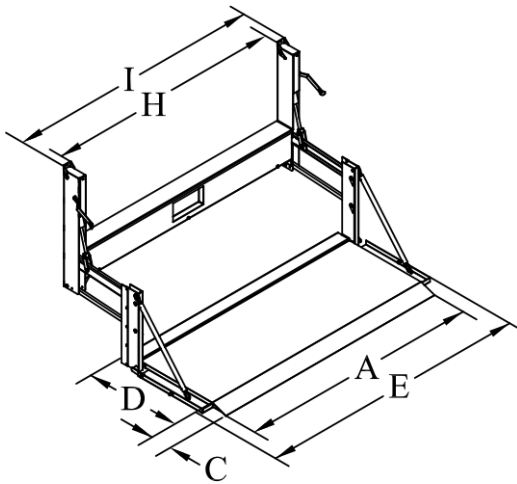
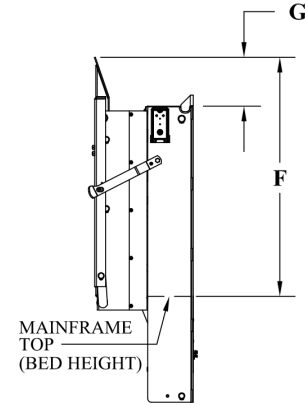
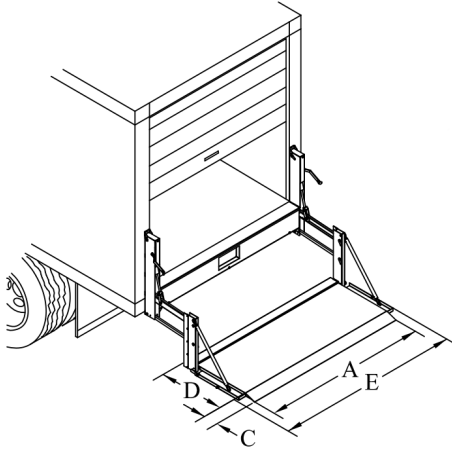
G2-54-2050 EA37	50	2000-lb. Capacity	50-1/8	6-7/32	37	59-5/16	35-3/4	8-13/16	49-5/8	55	
G2-54-2050 EA41	50		50-1/8	6-7/32	41-7/16	59-5/16	40-1/2	13-5/8	49-5/8	55	
G2-54-2050 TT33	50		50-3/4	6	33-3/8	58-5/16	31-7/8	5	49-5/8	55	
G2-60-2050 EA37	50		55-5/8	6-7/32	37	65-3/8	35-3/4	8-13/16	55-5/8	61	
G2-60-2050 EA41	50		55-5/8	6-7/32	41-7/16	65-3/8	40-1/2	13-5/8	55-5/8	61	
G2-60-2050 TT33	50		56-1/4	6	33-3/8	64-3/8	31-7/8	5	55-5/8	61	
G2-65-2050 EA37	50		60-3/16	6-7/32	37	70	35-3/4	8-13/16	61-1/4	66-3/4	
G2-65-2050 EA41	50		60-3/16	6-7/32	41-7/16	70	40-1/2	13-5/8	61-1/4	66-3/4	
G2-65-2050 TT33	50		61-7/8	6	33-3/8	70	31-7/8	5	61-1/4	66-3/4	
G2-73-2050 EA37	50		66-1/2	6-7/32	37	76-1/4	35-3/4	8-13/16	67-1/2	73	
G2-73-2050 EA41	50		66-1/2	6-7/32	41-7/16	76-1/4	40-1/2	13-5/8	67-1/2	73	
G2-73-2050 TT33	50		68-1/8	6	33-3/8	76-1/4	31-7/8	5	67-1/2	73	
G2-81-2050 EA37	50		75	6-7/32	37	84-3/4	35-3/4	8-13/16	76	81-1/2	
G2-81-2050 EA41	50		75	6-7/32	41-7/16	84-3/4	40-12	13-5/8	76	81-1/2	
G2-81-2050 TT33	50		76-5/8	6	33-3/8	84-3/4	31-7/8	5	76	81-1/2	
G2-87-2050 EA37	50		80-1/2	6-7/32	37	90-1/4	35-3/4	8-13/16	81-1/2	87	
G2-87-2050 EA41	50		80-1/2	6-7/32	41-7/16	90-1/4	40-1/2	13-5/8	81-1/2	87	
G2-87-2050 TT33	50		82-1/8	6	33-3/8	90-1/4	31-7/8	5	81-1/2	87	
G2-87-2050 TP35	50		82-1/8	6	35-3/8	90-1/4	33-5/16	7	81-1/2	87	
G2-87-2050 TP41	50		82-1/8	6	41-5/16	90-1/4	39-15/16	13	81-1/2	87	
G2-92-2050 EA37	50		85-1/2	6-7/32	37	95-1/4	35-3/4	8-13/16	86-1/2	92	
G2-92-2050 EA41	50		85-1/2	6-7/32	41-7/16	95-1/4	40-1/2	13-5/8	86-1/2	92	
G2-92-2050 TT33	50		87-1/8	6	33-3/8	95-1/4	31-7/8	5	86-1/2	92	
G2-92-2050 TP35	50		87-1/8	6	35-3/8	95-1/4	33-15/16	7	86-1/2	92	
G2-92-2050 TP41	50		87-1/8	6	41-5/16	95-1/4	39-15/16	13	86-1/2	92	

IMPORTANT

- *XX in the model number column denotes either capacity model number. Capacity does not affect physical dimensions.*
- *Please refer to the diagrams on page 3 for measurement locations.*



FLATBED, STAKE, & VAN BODY



Tommy Gate® liftgates are industrial products for material handling only and are not to be used as personnel or wheelchair lifts. For safe handling and operating instructions, visit www.tommygate.com.