

DETAILED LIFTGATE DIMENSIONS



FLATBED, STAKE, & VAN BODY

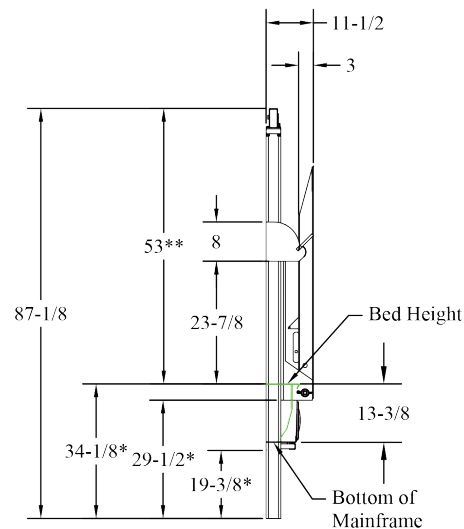
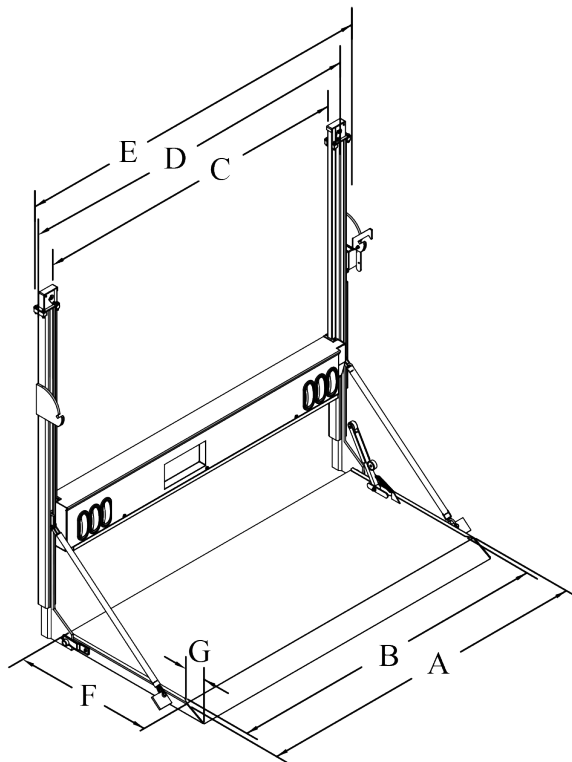
RAILGATE
SERIES



HIGH-CYCLE MODELS

			A	B	C	D	E	F	G
		Maximum Truck Bed Height							
		Lifting Capacity							
		Overall Platform Width							
		Platform Loading Width							
		Clear Opening Between Uprights							
		Frame Width Outside Uprights							
		Overall Gate Width							
		Platform Loading Depth							
		Taper							
85-XX TP36	54	2500 & 3000 lb. Capacities	85	83-1/4	79-3/4	89-3/4	94-7/8	36	12
85-XX TP42	54		85	83-1/4	79-3/4	89-3/4	94-7/8	42	12
85-XX TP48	54		85	83-1/4	79-3/4	89-3/4	94-7/8	48	12
85-XX EA55	54		85	83-1/4	79-3/4	89-3/4	94-7/8	55	12
89-XX TP36	54		89	87-1/4	83-3/4	93-3/4	98-7/8	36	12
89-XX TP42	54		89	87-1/4	83-3/4	93-3/4	98-7/8	42	12
89-XX TP48	54		89	87-1/4	83-3/4	93-3/4	98-7/8	48	12
89-XX EA55	54		89	87-1/4	83-3/4	93-3/4	98-7/8	55	12
95-XX TP36	54		95	93-1/4	89-3/4	99-3/4	104-7/8	36	12
95-XX TP42	54		95	93-1/4	89-3/4	99-3/4	104-7/8	42	12
95-XX TP48	54		95	93-1/4	89-3/4	99-3/4	104-7/8	48	12
95-XX EA55	54		95	93-1/4	89-3/4	99-3/4	104-7/8	55	12

IMPORTANT • *XX in the model number column denotes either capacity model number. Capacity does not affect physical dimensions.*



IMPORTANT:

- Measurements in drawing depict Bed-height Model.
- For Above-bed model dimensions:
 - * Subtract from dimension, bed-height difference below 54".
 - ** Add to dimension, bed-height difference below 54".