

DETAILED LIFTGATE DIMENSIONS



FLATBED, STAKE, & VAN BODY

RAILGATE
SERIES



**DOCK-FRIENDLY (RF)
STEEL-FRAME MODELS**

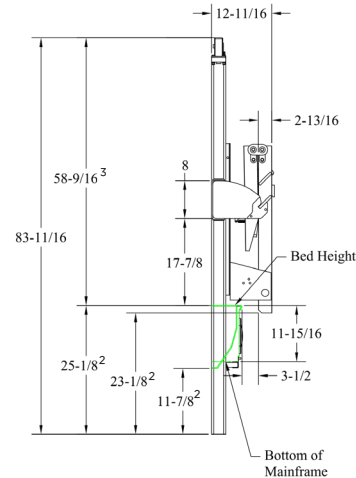
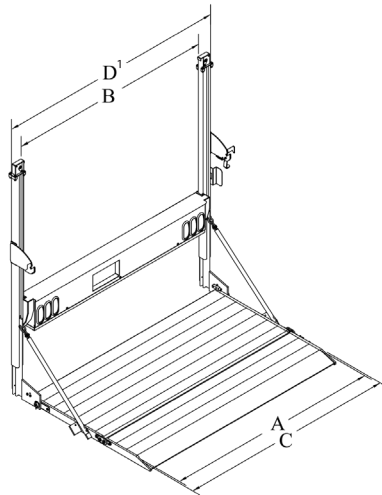
	Maximum Truck Bed Height	Lifting Capacity	Platform Loading Width	A	B	C	D ¹
73-XX RF 45-6	46	1600 & 2000 lb. Capacities	71-1/2	68-3/4	73	76-3/4	
73-XX RF 45-12	46		71-1/2	68-3/4	73	76-3/4	
73-XX RF 50-6	46		71-1/2	68-3/4	73	76-3/4	
79-XX RF 45-6	47		77-1/2	74-3/4	79	82-3/4	
79-XX RF 45-12	47		77-1/2	74-3/4	79	82-3/4	
79-XX RF 50-6	47		77-1/2	74-3/4	79	82-3/4	
85-XX RF 45-6	54		83-1/2	80-3/4	85	88-3/4	
85-XX RF 45-12	54		83-1/2	80-3/4	85	88-3/4	
85-XX RF 50-6	54		83-1/2	80-3/4	85	88-3/4	
89-XX RF 45-6	54		87-1/2	84-3/4	89	92-3/4	
89-XX RF 45-12	54		87-1/2	84-3/4	89	92-3/4	
89-XX RF 50-6	54		87-1/2	84-3/4	89	92-3/4	
95-XX RF 45-6	54		93-1/2	90-3/4	95	98-3/4	
95-XX RF 45-12	54		93-1/2	90-3/4	95	98-3/4	
95-XX RF 50-6	54		93-1/2	90-3/4	95	98-3/4	

NOTES

1. Dimension is outside of upright flanges and does not include the control, latch plates or latch assembly.
2. Dimension is based on bed height of 40 inches. Add to dimension, bed height difference above 40 inches. (see below diagram)
3. Dimension is based on bed height of 40 inches. Subtract from dimension, bed height difference above 40 inches. (see below diagram)

IMPORTANT

- XX in the model number column denotes either capacity model number. Capacity does not affect physical dimensions.



FLATBED, STAKE, & VAN BODY

RAILGATE
SERIES



**DOCK-FRIENDLY (RF)
ALUMINUM-FRAME
MODELS**

			A	B	C	D ¹
	Maximum Truck Bed Height	Lifting Capacity	Platform Loading Width	Clear Opening Between Uprights	Overall Platform Width	Frame Width Outside Uprights
A73-XX RF 45-6	46	1600 & 2000 lb. Capacities	71-1/2	68-3/4	73	80-1/4
A73-XX RF 45-12	46		71-1/2	68-3/4	73	80-1/4
A73-XX RF 50-6	46		71-1/2	68-3/4	73	80-1/4
A79-XX RF 45-6	47		77-1/2	74-3/4	79	86-1/4
A79-XX RF 45-12	47		77-1/2	74-3/4	79	86-1/4
A79-XX RF 50-6	47		77-1/2	74-3/4	79	86-1/4
A85-XX RF 45-6	54		83-1/2	80-3/4	85	92-1/4
A85-XX RF 45-12	54		83-1/2	80-3/4	85	92-1/4
A85-XX RF 50-6	54		83-1/2	80-3/4	85	92-1/4
A89-XX RF 45-6	54		87-1/2	84-3/4	89	96-1/4
A89-XX RF 45-12	54		87-1/2	84-3/4	89	96-1/4
A89-XX RF 50-6	54		87-1/2	84-3/4	89	96-1/4

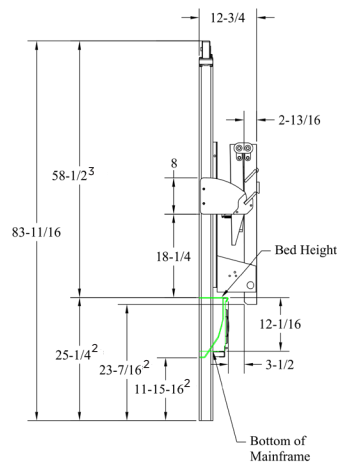
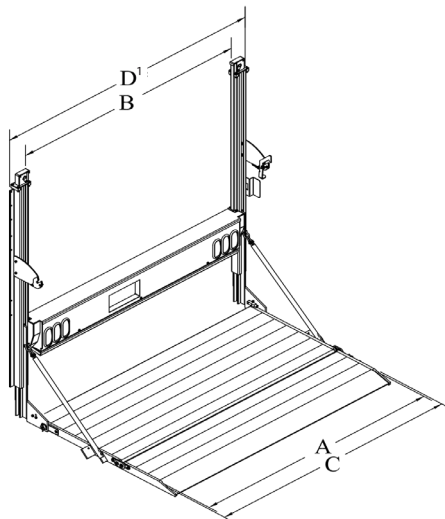
NOTES

1. Dimension is outside of upright flanges and does not include the control, latch plates or latch assembly.
2. Dimension is based on bed height of 40 inches. Add to dimension, bed height difference above 40 inches. (see below diagram)
3. Dimension is based on bed height of 40 inches. Subtract from dimension, bed height difference above 40 inches. (see below diagram)

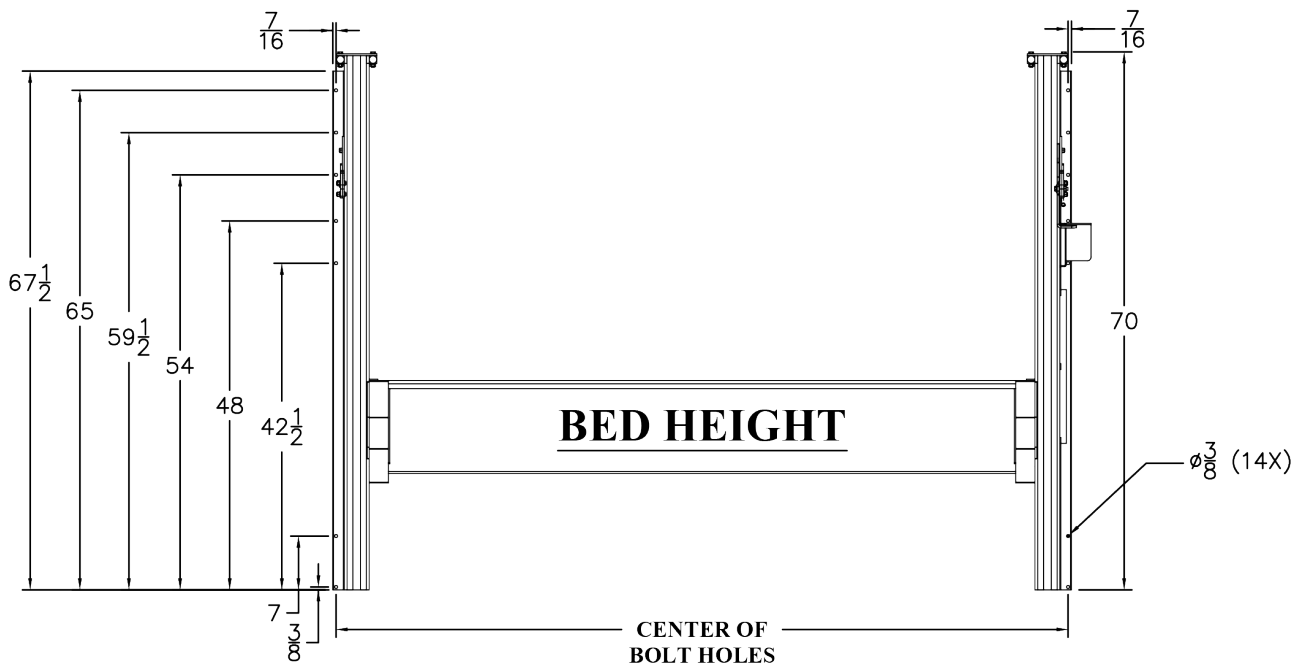
IMPORTANT

- XX in the model number column denotes either capacity model number. Capacity does not affect physical dimensions.

(flange mounting dimensions on next page)



**DOCK-FRIENDLY (RF)
ALUMINUM-FRAME MODEL
MOUNTING DIMENSIONS**



Tommy Gate® liftgates are industrial products for material handling only and are not to be used as personnel or wheelchair lifts. For safe handling and operating instructions, visit www.tommygate.com.

