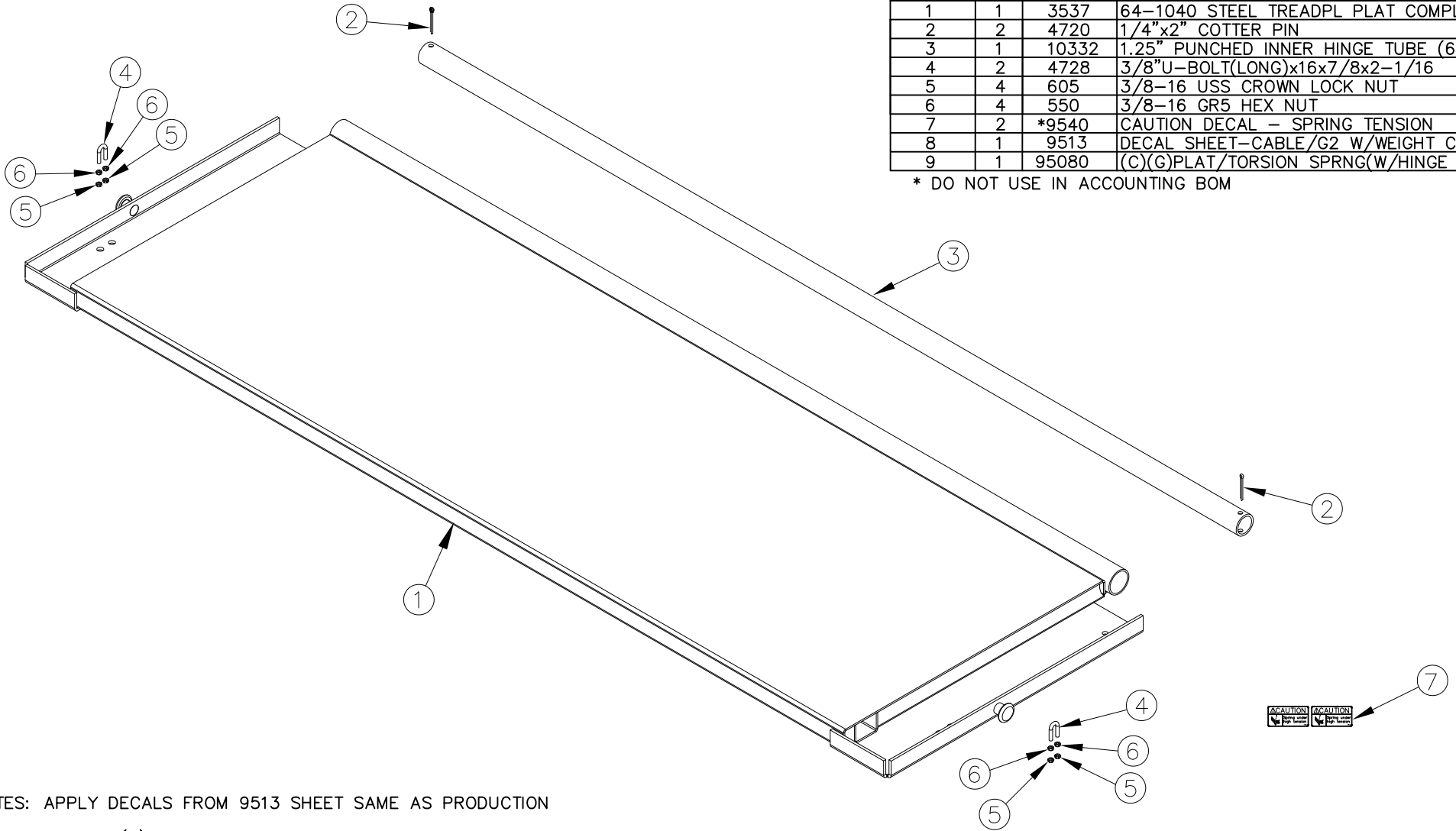


ITEM NO.	QTY.	PART NO.	DESCRIPTION
1	1	3537	64-1040 STEEL TREADPL PLAT COMPL
2	2	4720	1/4"x2" COTTER PIN
3	1	10332	1.25" PUNCHED INNER HINGE TUBE (64)
4	2	4728	3/8"U-BOLT(LONG)x16x7/8x2-1/16
5	4	605	3/8-16 USS CROWN LOCK NUT
6	4	550	3/8-16 GR5 HEX NUT
7	2	*9540	CAUTION DECAL - SPRING TENSION
8	1	9513	DECAL SHEET-CABLE/G2 W/WEIGHT CAP.
9	1	95080	(C)(G)PLAT/TORSION SPRNG(W/HINGE TUBE)


* DO NOT USE IN ACCOUNTING BOM



NOTES: APPLY DECALS FROM 9513 SHEET SAME AS PRODUCTION

SEND (2) 9540 LOOSE



REV.	DATE	CHANGE RECORD	BY	APPVD	ECN	THIRD ANGLE PROJECTION			FILENAME:		WOODBINE MFG. CO. BUS BROWN DRIVE WOODBINE, IOWA 51579		
						DECIMAL	2PLC	3PLC	SYMBOLY PER ANSI Y14.5	NOTES:			
C	8/26/22	ADDED 95080, 9513 AND 9540	AAS		2780	MACHINE SAW, DRILL	.030	.015	DRAWN BY. DJR		 THE INFORMATION HERE IS CONFIDENTIAL AND MUST NOT BE USED IN ANYWAY DETRIMENTAL TO THE INTEREST OF WOODBINE MFG.		
B	7/19/10	REPLACED 6403 WITH 10332	JCB		276	SHEAR, PUNCH FORM	.060	.030	DRAWN/DATE 10/4/04				
						TORCH, WELDING ROUGH CAST	.090	.060	APPVD/DATE	TITLE (64-1040) TP REPLACEMENT PLATFORM			
						DRAFT 2'		ANGULAR ±1'	SALES CATEGORY	PRODUCT LINE	SCALE N	FIN. WT.	PART NO. 1648