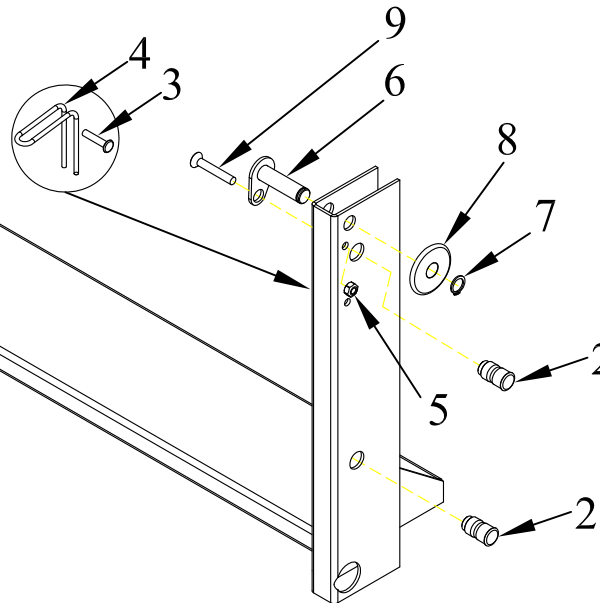


ITEM NO.	QTY.	PART NO.	DESCRIPTION
1	1	003281	64EA SUB ASSEMBLY WELDMENT
2	4	007542	3/4"x1-1/2" ARM PIN
3	2	007544	5/16"x1/2" F.H.RIVET
4	2	003820	KICKER SPRING
5	2	000606	5/16-18 USS CROWN LOCK NUT
6	2	010340	DROP PIN ASSEMBLY
7	2	000615	5/8" EXTERNAL RETAINING RING-PLATED
8	2	010337	DROP CHAIN MACHINED WASHER
9	2	010467	5/16-18 X 2" FLHD SHCS - ZINC
10	1	095046	SUB-ASSEMBLY REPLACEMENT- ORIGINAL SERIES



				THIRD ANGLE PROJECTION			FILENAME:		WOODBINE MFG. CO. BUS BROWN DRIVE WOODBINE, IOWA 51579															
							SYMBOLY PER ANSI Y14.5																	
				<table border="1"> <tr> <th>DECIMAL</th> <th>2PLC</th> <th>3PLC</th> </tr> <tr> <td>MACHINE SAW, DRILL</td> <td>.030</td> <td>.015</td> </tr> <tr> <td>SHEAR, PUNCH FORM</td> <td>.060</td> <td>.030</td> </tr> <tr> <td>TORCH, WELDING ROUGH CAST</td> <td>.090</td> <td>.060</td> </tr> </table>			DECIMAL	2PLC	3PLC	MACHINE SAW, DRILL	.030	.015	SHEAR, PUNCH FORM	.060	.030	TORCH, WELDING ROUGH CAST	.090	.060	DRAWN BY: DJR		NOTES:		712-647-2050	
DECIMAL	2PLC	3PLC																						
MACHINE SAW, DRILL	.030	.015																						
SHEAR, PUNCH FORM	.060	.030																						
TORCH, WELDING ROUGH CAST	.090	.060																						
				DRAWN/DATE 5/26/04																				
C	3/2/11	REPLACED 95042 WITH 95046	JCB	415			TITLE 64EA REPLACEMENT SUB ASSEMBLY		THE INFORMATION HERE IS CONFIDENTIAL AND MUST NOT BE USED IN ANYWAY DETRIMENTAL TO THE INTEREST OF WOODBINE MFG.															
B	2/24/10	REMOVED PN4769 AND 3818; ADDED PN10340, 615, 10337, 10467, 7544, 3820, 606	MTC	270																				
REV.	DATE	CHANGE RECORD	BY	APPVD	ECN	DRAFT 2"	ANGULAR ±1"	SCALE N	FIN. WT.	PART NO. 3594														