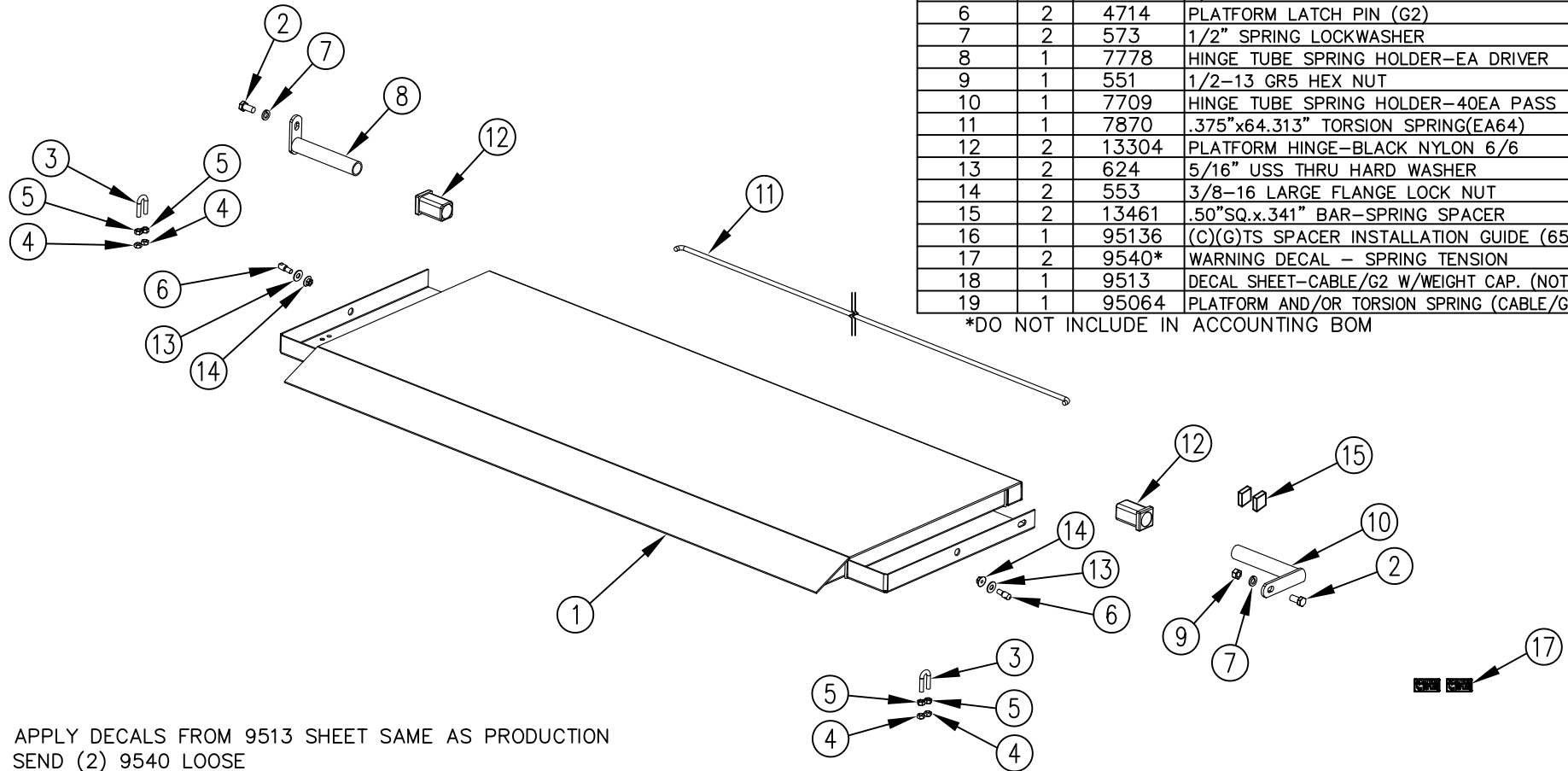


ITEM NO.	QTY.	PART NO.	DESCRIPTION
1	1	13302	65-42 22+4 PLATFORM
2	2	587	1/2-13x1" HHCS GR5
3	2	4727	3/8"U-BOLT(SHORT)x16x7/8x1-1/2
4	4	605	3/8-16 USS CROWN LOCK NUT
5	4	550	3/8-16 GR5 HEX NUT
6	2	4714	PLATFORM LATCH PIN (G2)
7	2	573	1/2" SPRING LOCKWASHER
8	1	7778	HINGE TUBE SPRING HOLDER-EA DRIVER
9	1	551	1/2-13 GR5 HEX NUT
10	1	7709	HINGE TUBE SPRING HOLDER-40EA PASS
11	1	7870	.375"x64.313" TORSION SPRING(EA64)
12	2	13304	PLATFORM HINGE-BLACK NYLON 6/6
13	2	624	5/16" USS THRU HARD WASHER
14	2	553	3/8-16 LARGE FLANGE LOCK NUT
15	2	13461	.50"SQ.x.341" BAR-SPRING SPACER
16	1	95136	(C)(G)TS SPACER INSTALLATION GUIDE (65)
17	2	9540*	WARNING DECAL - SPRING TENSION
18	1	9513	DECAL SHEET-CABLE/G2 W/WEIGHT CAP. (NOT SHOWN)
19	1	95064	PLATFORM AND/OR TORSION SPRING (CABLE/G2) INSTR.

\*DO NOT INCLUDE IN ACCOUNTING BOM



NOTES: APPLY DECALS FROM 9513 SHEET SAME AS PRODUCTION  
SEND (2) 9540 LOOSE

REV.	DATE	CHANGE RECORD	BY	APPVD	ECN
F.1	8/17/16	UPDATED TITLE BLOCK	AAS		
F	12/19/14	CHANGED 4818 TO 13302	MTC		1280
E	8/7/14	ADDED (2) 13461 AND (1) 95136	GDB		1180
D	3/20/14	REPLACED 7709 W/ 7710; REPLACED 2020 W/ INDIVIDUAL PARTS; ADDED (2) 9540, (1) 9513, (1) 95064 & NOTES	JCB		1063
C	10/14/13	ADDED (1) 7870 AND (2) 13304	GDB		979
B	3/15/10	REMOVED PN604, 588; ADDED PN551; ADDED ONE MORE TO PN573, 587	MTC		274

THIRD ANGLE PROJECTION			FILENAME:	
			SYMBOLY PER ANSI Y14.5	NOTES:
DECIMAL	2PLC	3PLC	DRAWN BY.	
MACHINE SAW, DRILL	.030	.015	JCB	
SHEAR, PUNCH FORM	.060	.030	DRAWN/DATE	
TORCH, WELDING ROUGH CAST	.090	.060	7/25/06	
DRAFT 2°	ANGULAR ±1°	SALES CATEGORY	PRODUCT LINE	SCALE
				1:14
				FIN. WT.
				PART NO.

WOODBINE MFG. CO.  
BUS BROWN DRIVE  
WOODBINE, IOWA 51579



THE INFORMATION HERE IS CONFIDENTIAL AND MUST NOT BE USED IN ANYWAY DETRIMENTAL TO THE INTEREST OF WOODBINE MFG.

TITLE  
G2 64 27+0+4 TP REPLACEMENT PLATFORM

4869