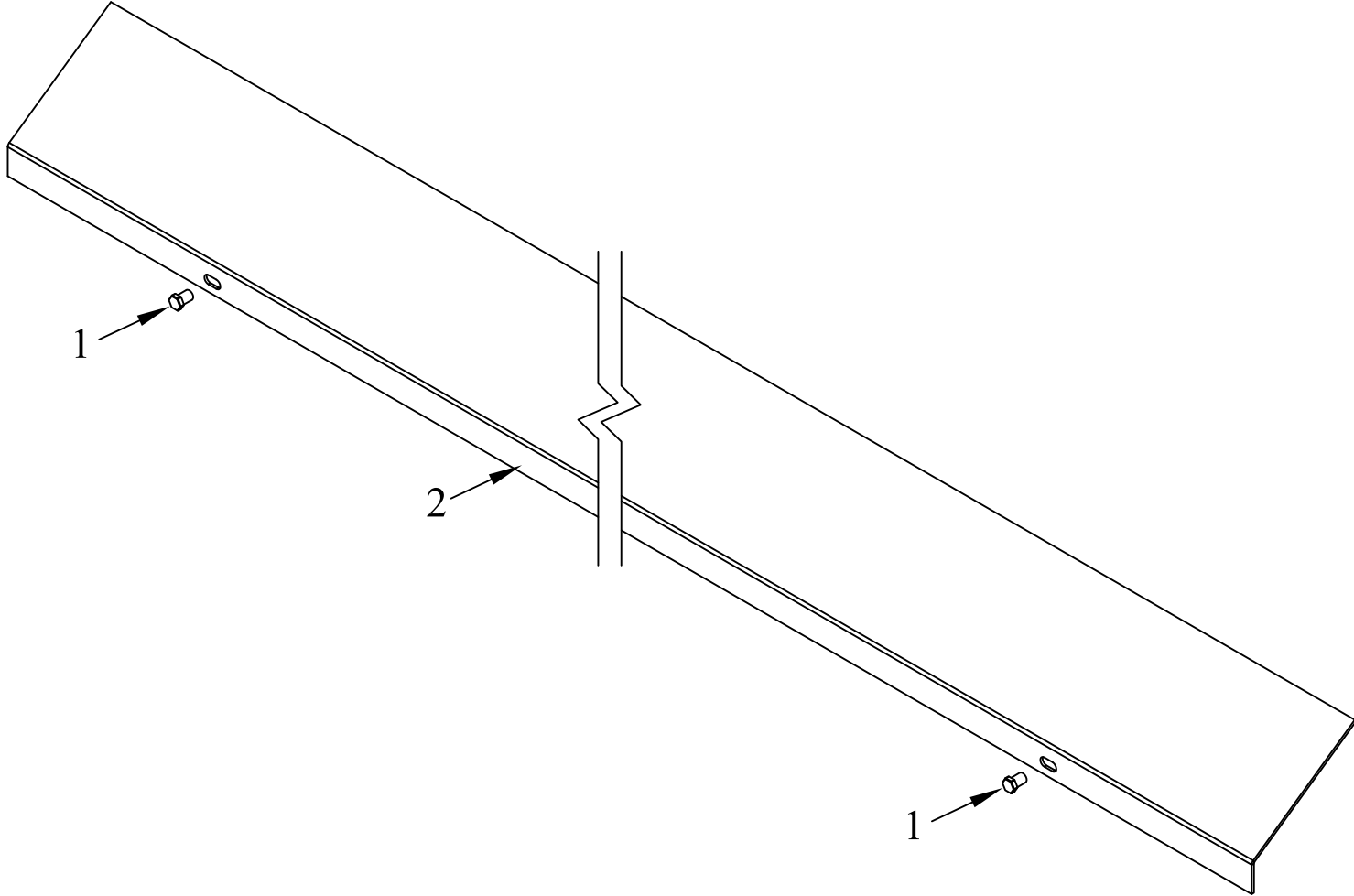


ITEM NO.	QTY.	PART NO.	DESCRIPTION
1	2	000506	5/16-18X1/2' HHCS GRADE 5 BOLT
2	1	004993	12GAx7"x88.19"BOX COVER(91)



REV.	DATE	CHANGE RECORD	BY	APPVD	ECN	THIRD ANGLE PROJECTION	FILENAME:	SYMBOLY PER ANSI Y14.5	NOTES:	WOODBINE MFG. CO. BUS BROWN DRIVE WOODBINE, IOWA 51579 712-647-2050												
						<table border="1"> <tr> <th>DECIMAL</th> <th>2PLC</th> <th>3PLC</th> </tr> <tr> <td>MACHINE SAW, DRILL</td> <td>.030</td> <td>.015</td> </tr> <tr> <td>SHEAR, PUNCH FORM</td> <td>.060</td> <td>.030</td> </tr> <tr> <td>TORCH, WELDING ROUGH CAST</td> <td>.090</td> <td>.060</td> </tr> </table>	DECIMAL	2PLC	3PLC		MACHINE SAW, DRILL	.030	.015	SHEAR, PUNCH FORM	.060	.030	TORCH, WELDING ROUGH CAST	.090	.060	DRAWN BY. DJR		<p>THE INFORMATION HERE IS CONFIDENTIAL AND MUST NOT BE USED IN ANYWAY DETRIMENTAL TO THE INTEREST OF WOODBINE MFG.</p>
DECIMAL	2PLC	3PLC																				
MACHINE SAW, DRILL	.030	.015																				
SHEAR, PUNCH FORM	.060	.030																				
TORCH, WELDING ROUGH CAST	.090	.060																				
						DRAWN/DATE 12/15/03																
						APPVD/DATE	TITLE REPLACEMENT BOX COVER(91)															
						DRAFT 2'	SALES CATEGORY 45	PRODUCT LINE 8950	SCALE N	FIN. WT.	PART NO. 4968											
						ANGULAR ±1'																