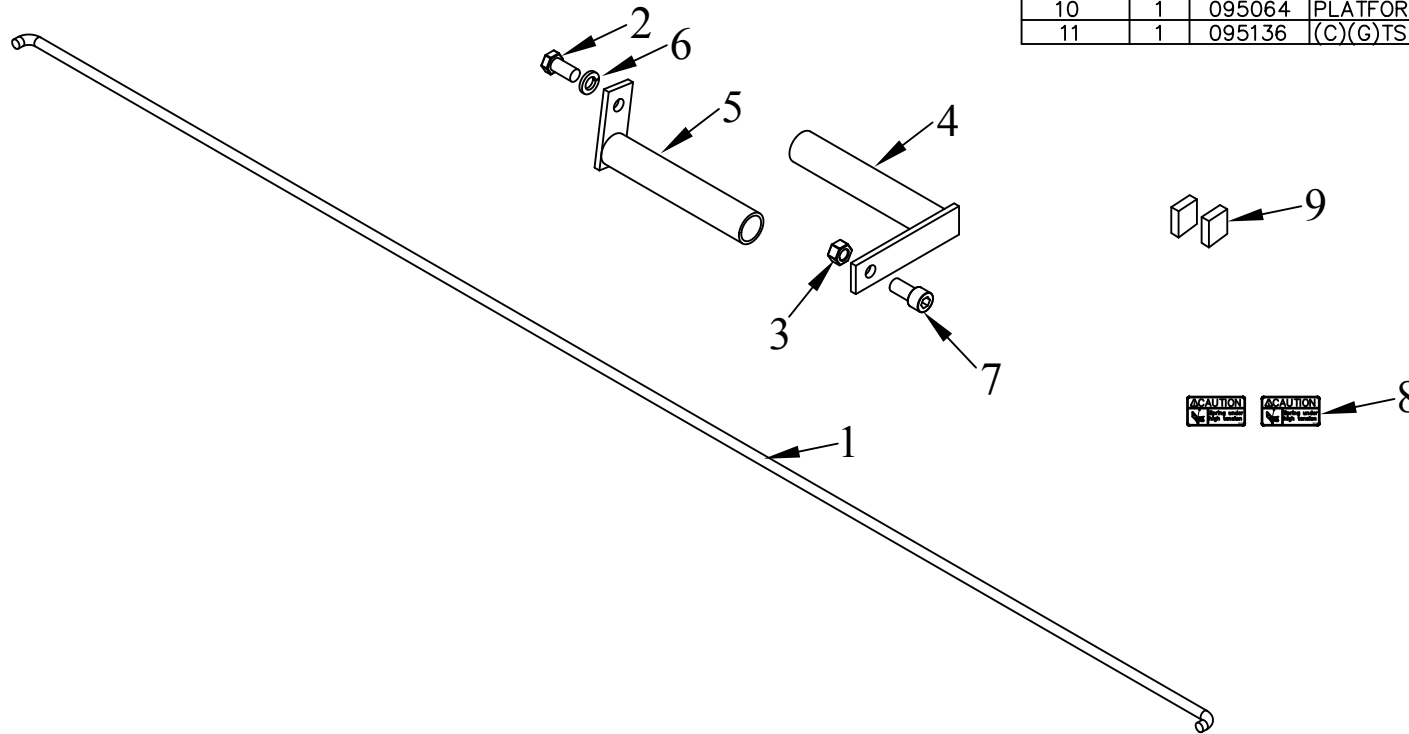


ITEM NO.	QTY.	PART NO.	DESCRIPTION
1	1	007870	.38"x64.313" TORSION SPRING(64EA)
2	1	000587	1/2-13x1" HHCS GR5
3	1	000588	1/2-13 CROWN LOCK NUT
4	1	007710	HINGE TUBE SPRING HOLDER-46EA PASS
5	1	007778	HINGE TUBE SPRING HOLDER-EA DRIVER
6	1	000573	1/2" SPRING LOCKWASHER
7	1	000604	1/2-13x1"USS SOC HD CAP STAINLESS
8	2	009540	WARNING DECAL - SPRING TENSION
9	2	013461	.50"SQ.x.341" BAR-SPRING SPACER
10	1	095064	PLATFORM AND/OR TORSION SPRING (CABLE/G2)
11	1	095136	(C)(G)TS SPACER INSTALLATION GUIDE (65)



REV.	DATE	CHANGE RECORD	BY	APPVD	ECN	DRAFT 2'	ANGULAR ±1'	SALES CATEGORY	PRODUCT LINE	SCALE N	FIN. WT. 5.45	PART NO. 8085		
E	8/7/14	ADDED (2) 13461, AND (1) 95136	GDB		1180	THIRD ANGLE PROJECTION 	MACHINE SAW,DRILL SHEAR, PUNCH FORM TORCH, WELDING ROUGH CAST	FILENAME:	WOODBINE MFG. CO. BUS BROWN DRIVE WOODBINE, IOWA 51579 712-647-2050 					
D	3/29/11	ADDED 95064	JCB		427			DECIMAL MACHINE SAW,DRILL SHEAR, PUNCH FORM TORCH, WELDING ROUGH CAST					SYMBOLOLOGY PER ANSI Y14.5 DRAWN BY. DJR DRAWN/DATE 7/9/04 APPVD/DATE	NOTES:
C	11/16/10	ADDED (2) 9540	JCB		376			2PLC SHEAR, PUNCH FORM TORCH, WELDING ROUGH CAST					THE INFORMATION HERE IS CONFIDENTIAL AND MUST NOT BE USED IN ANYWAY DETRIMENTAL TO THE INTEREST OF WOODBINE MFG.	TITLE EA TORSION SPRING KIT(64/65)DEEP PLATFORM
B	12/2/09	UPDATED DESCRIPTION	JCB		242			3PLC TORCH, WELDING ROUGH CAST					TITLE EA TORSION SPRING KIT(64/65)DEEP PLATFORM	
A	8/8/06	UPDATED BOM	JCB	KGJ										