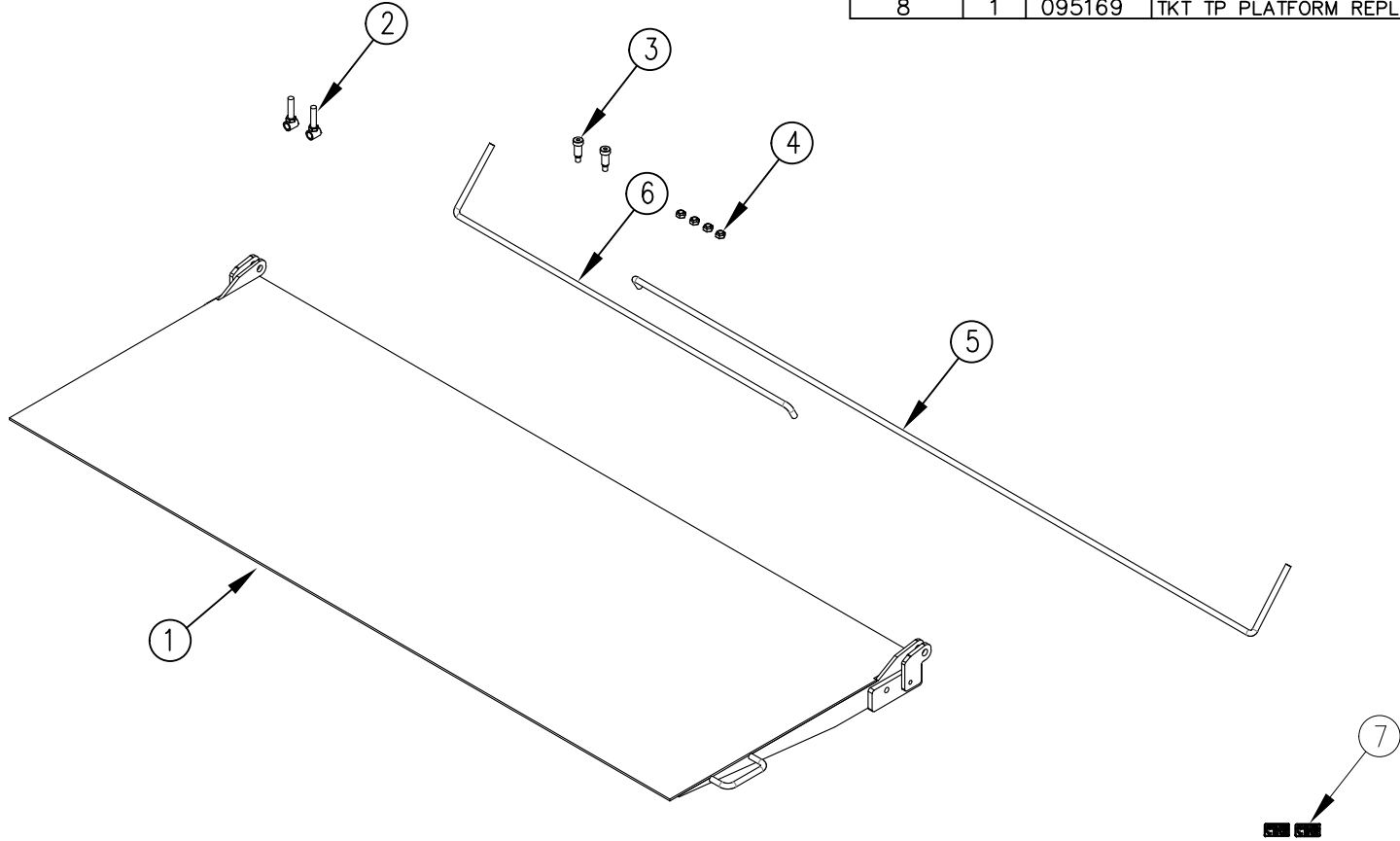


ITEM NO.	QTY.	PART NO.	DESCRIPTION
1	1	011605	FLIPPER ASSEMBLY – 60x80 STEEL(TUCKUNDER)
2	2	013039	TORSION SPRING SWIVEL WELDMENT
3	2	011656	5/8x1.25" SHOULDER BOLT– ZINC PLATED(1/2–13)
4	4	000588	1/2" CROWN LOCK NUT
5	1	011614	.50"DIA. CURB SIDE FLIPPER SPRING–82.75"(TUCKUNDER)
6	1	011615	.50" DRIVER SIDE FLIPPER SPRING–48.25"(TUCKUNDER)
7	2	009540	CAUTION DECAL – SPRING TENSION
8	1	095169	TKT TP PLATFORM REPLACEMENT INSTRUCTIONS



				THIRD ANGLE PROJECTION		FILENAME:		WOODBINE MFG. CO.			
						SYMBOLY PER ANSI Y14.5		BUS BROWN DRIVE			
				DECIMAL		DRAWN BY.		WOODBINE, IOWA 51579			
				MACHINE SAW, DRILL		GDB		712-647-2050			
				SHEAR, PUNCH FORM		DRAWN/DATE					
				TORCH, WELDING ROUGH CAST		3/20/15					
				DRAFT 2'		APPVD/DATE		THE INFORMATION HERE IS CONFIDENTIAL AND MUST NOT BE USED IN ANYWAY DETRIMENTAL TO THE INTEREST OF WOODBINE MFG.			
				ANGULAR ±1'		TITLE					
A	3/20/15	RELEASED TO PRODUCTION		GDB	1348	REPL. 30" TP FOLDING EXT. (TUCKUNDER)					
REV.	DATE	CHANGE RECORD		BY	APPVD	ECN	SALES CATEGORY	PRODUCT LINE	SCALE	FIN. WT.	PART NO.
									1:16		14338