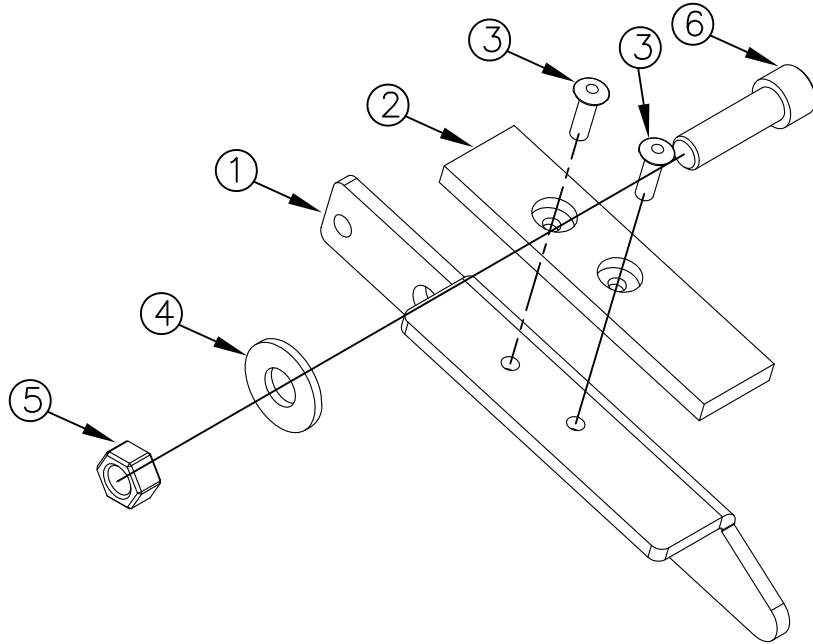


ITEM NO.	QTY.	PART NO.	DESCRIPTION
1	1	012638	PLATED RAIL LATCH FLIPPER(TX)
2	1	012648	.25" X 3.875" FLIPPER WEAR PLATE(TX)
3	2	004733	3/16"x5/8" POP RIVET
4	1	000575	3/8" USS FLAT WASHER
5	1	000597	3/8-16 2 WAY LOCK NUT
6	1	000594	3/8-16x1-1/4" SHCS ZP



						THIRD ANGLE PROJECTION	FILENAME:	WOODBINE MFG. CO. BUS BROWN DRIVE WOODBINE, IOWA 51579				
							SYMBOLY PER ANSI Y14.5	NOTES:				
						DECIMAL	2PLC	3PLC				
						MACHINE SAW, DRILL	.030	.015				
						SHEAR, PUNCH FORM	.060	.030				
						TORCH, WELDING ROUGH CAST	.090	.060				
A	3/25/13	RELEASED TO PRODUCTION	GDB	864			DRAWN BY: GDB					
							DRAWN/DATE 3/25/13					
							APPVD/DATE	TITLE REPLACEMENT LATCH FLIPPER(TX)				
REV.	DATE	CHANGE RECORD	BY	APPVD	ECN	DRAFT 2*	ANGULAR ±1*	SALES CATEGORY	PRODUCT LINE	SCALE 1:2	FIN. WT.	PART NO. 012627

712-647-2050

THE INFORMATION HERE IS CONFIDENTIAL AND MUST NOT BE USED IN ANYWAY DETRIMENTAL TO THE INTEREST OF WOODBINE MFG.