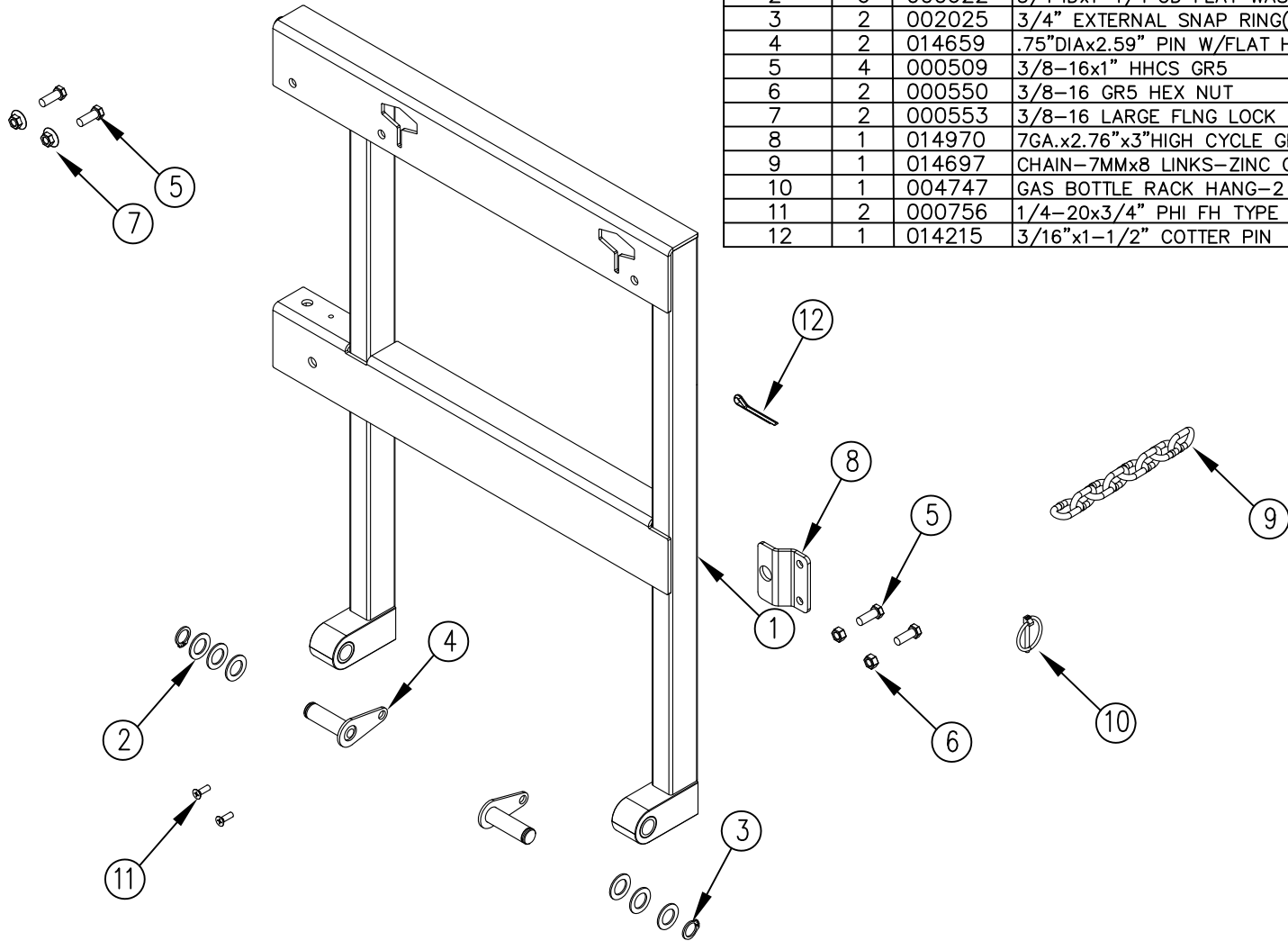


ITEM NO.	QTY.	PART NO.	DESCRIPTION
1	1	014477	BOTTLE RACK FENCE-LEFT
2	6	000622	3/4"IDx1-1/4"OD FLAT WASHER (650) *ZP*
3	2	002025	3/4" EXTERNAL SNAP RING(G2)PLATED
4	2	014659	.75"DIAx2.59" PIN W/FLAT HEAD KEEPER
5	4	000509	3/8-16x1" HHCS GR5
6	2	000550	3/8-16 GR5 HEX NUT
7	2	000553	3/8-16 LARGE FLNG LOCK NUT
8	1	014970	7GA.x2.76"x3"HIGH CYCLE GBR FENCE STOP BRACKET
9	1	014697	CHAIN-7MMx8 LINKS-ZINC GBR FENCE CHAIN
10	1	004747	GAS BOTTLE RACK HANG-2 LYNCH PIN
11	2	000756	1/4-20x3/4" PHI FH TYPE F SS
12	1	014215	3/16"x1-1/2" COTTER PIN



				THIRD ANGLE PROJECTION			FILENAME:		WOODBINE MFG. CO. BUS BROWN DRIVE WOODBINE, IOWA 51579															
							SYMBOLY PER ANSI Y14.5						NOTES: <hr/> <hr/> <hr/> <hr/>											
				<table border="1"> <tr> <td>DECIMAL</td> <td>2PLC</td> <td>3PLC</td> </tr> <tr> <td>MACHINE SAW,DRILL</td> <td>.030</td> <td>.015</td> </tr> <tr> <td>SHEAR, PUNCH FORM</td> <td>.060</td> <td>.030</td> </tr> <tr> <td>TORCH, WELDING ROUGH CAST</td> <td>.090</td> <td>.060</td> </tr> </table>			DECIMAL	2PLC	3PLC	MACHINE SAW,DRILL	.030	.015					SHEAR, PUNCH FORM	.060	.030	TORCH, WELDING ROUGH CAST	.090	.060	DRAWN BY: AAS	
DECIMAL	2PLC	3PLC																						
MACHINE SAW,DRILL	.030	.015																						
SHEAR, PUNCH FORM	.060	.030																						
TORCH, WELDING ROUGH CAST	.090	.060																						
				DRAWN/DATE 3/29/16		<small>THE INFORMATION HERE IS CONFIDENTIAL AND MUST NOT BE USED IN ANYWAY DETRIMENTAL TO THE INTEREST OF WOODBINE MFG.</small>																		
A	3/29/16	RELEASED TO PRODUCTION		AAS	1606					APPVD/DATE		TITLE REPLACEMENT BOTTLE RACK FENCE-L HIGHCYCLE												
REV.	DATE	CHANGE RECORD		BY	APPVD	ECN	DRAFT 2'	ANGULAR ±1'	SALES CATEGORY	PRODUCT LINE	SCALE 1:8	FIN. WT.	PART NO. 14714											