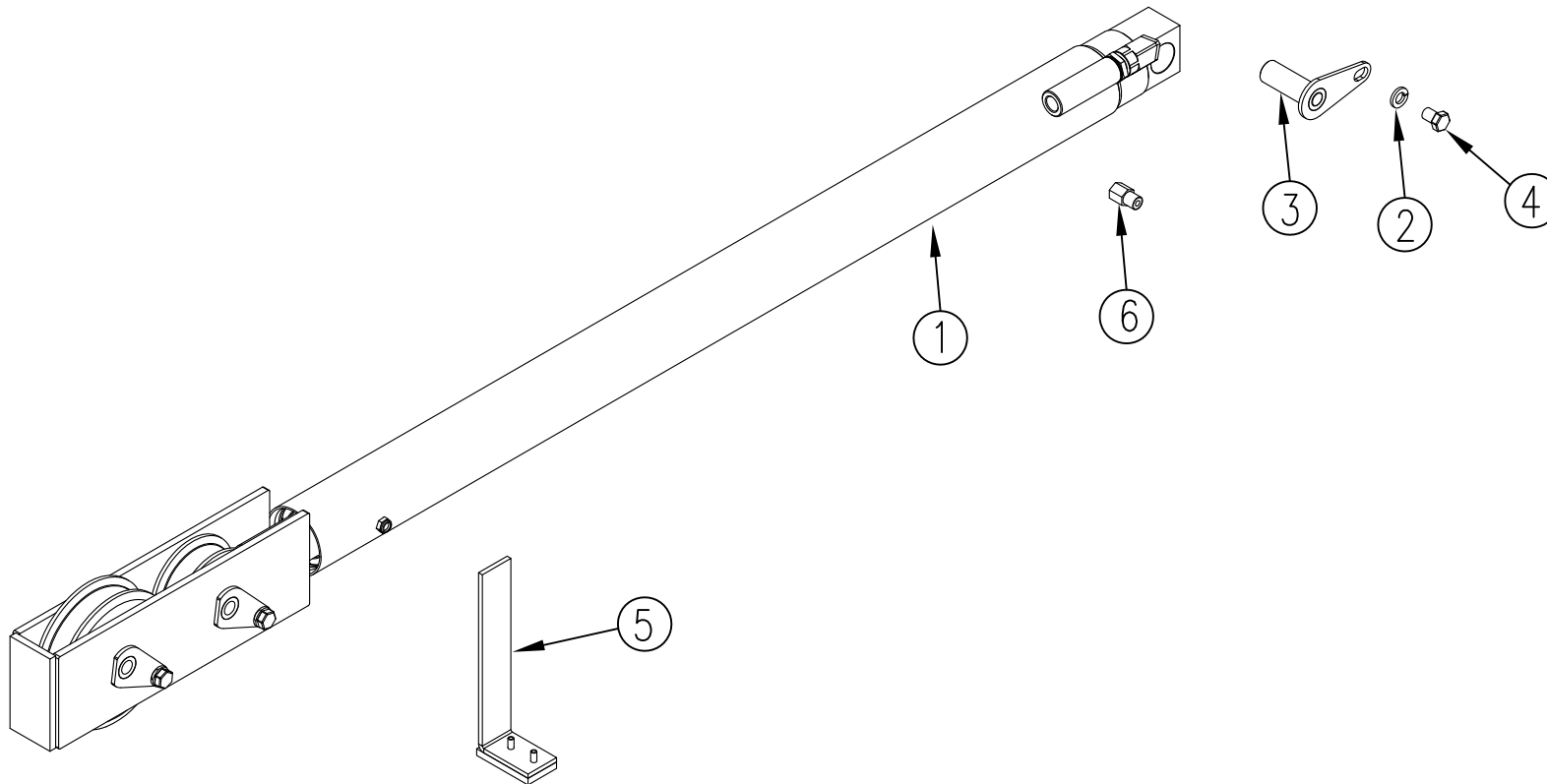



ITEM NO.	QTY.	PART NO.	DESCRIPTION
1	1	010432	CYLINDER COMPLETE 2.0 X 27
2	1	000572	3/8" SPRING LOCK WASHER
3	1	006280	CYL PIN WLDMT (25/30)
4	1	000508	3/8-16x3/4"HHCS GR5
5	1	006980	CYLINDER FOOT WITH BEARING PAD (N)
6	1	012964	#4 MORB TO #4 FEMALE NPT ADAPTOR (6405-4-4)
7	1	095073	RAIL SERIES CYLINDER REPLACEMENT INSTRUCTIONS



REV.	DATE	CHANGE RECORD	BY	APPVD	ECN	THIRD ANGLE PROJECTION	FILENAME:	SYMBOLY PER ANSI Y14.5	NOTES:	WOODBINE MFG. CO. BUS BROWN DRIVE WOODBINE, IOWA 51579 712-647-2050																				
B	11/14/13	ADDED (1) 012964	GDB		1004	<table border="1"> <tr> <td>DECIMAL</td> <td>2PLC</td> <td>3PLC</td> </tr> <tr> <td>MACHINE SAW, DRILL</td> <td>.030</td> <td>.015</td> </tr> <tr> <td>SHEAR, PUNCH FORM</td> <td>.060</td> <td>.030</td> </tr> <tr> <td>TORCH, WELDING ROUGH CAST</td> <td>.090</td> <td>.060</td> </tr> <tr> <td>DRAFT 2'</td> <td>ANGULAR ±1'</td> <td></td> </tr> </table>	DECIMAL	2PLC	3PLC	MACHINE SAW, DRILL	.030	.015	SHEAR, PUNCH FORM	.060	.030	TORCH, WELDING ROUGH CAST	.090	.060	DRAFT 2'	ANGULAR ±1'		<table border="1"> <tr> <td>DRAWN BY.</td> <td>JAR</td> </tr> <tr> <td>DRAWN/DATE</td> <td>10/17/11</td> </tr> <tr> <td>APPVD/DATE</td> <td></td> </tr> </table>	DRAWN BY.	JAR	DRAWN/DATE	10/17/11	APPVD/DATE			<p>THE INFORMATION HERE IS CONFIDENTIAL AND MUST NOT BE USED IN ANYWAY DETRIMENTAL TO THE INTEREST OF WOODBINE MFG.</p> 
DECIMAL	2PLC	3PLC																												
MACHINE SAW, DRILL	.030	.015																												
SHEAR, PUNCH FORM	.060	.030																												
TORCH, WELDING ROUGH CAST	.090	.060																												
DRAFT 2'	ANGULAR ±1'																													
DRAWN BY.	JAR																													
DRAWN/DATE	10/17/11																													
APPVD/DATE																														
A	10/17/11	RELEASED TO PRODUCTION	JAR		529				TITLE REPLACEMENT CYLINDER (25/30) RAILGATE																					
							SALES CATEGORY	PRODUCT LINE	SCALE 1:6	FIN. WT.	PART NO. 11786																			