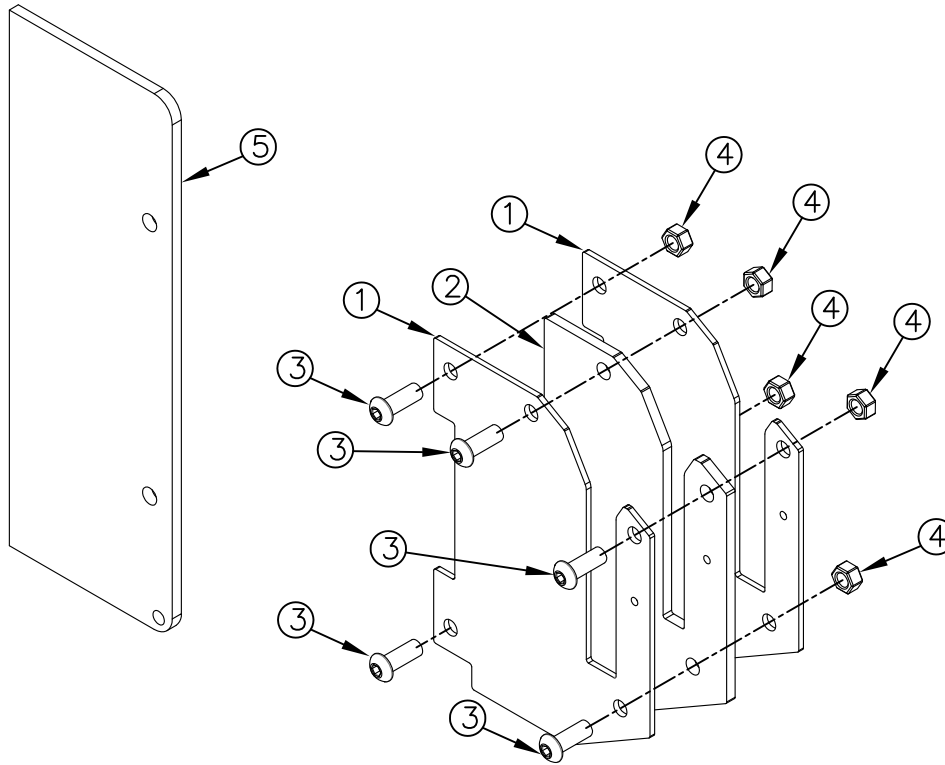


ITEM NO.	QTY.	PART NO.	DESCRIPTION
1	2	012636	PLATED RAIL LATCH PLATE(TX)
2	1	012631	1/4" UHMW POLY. WEAR PLATE RAIL LATCH(TX)
3	5	000737	3/8-16x1" BHCS GR5-ZINC PLATED
4	5	000597	3/8-16 2 WAY LOCK NUT
5	1	011963	ALUM RAIL LATCH BASE PLATE (TX)
6	1	095126	TEXTILE RAILGATE DS LATCH REWORK INST.



REV.	DATE	CHANGE RECORD	BY	APPVD	ECN	THIRD ANGLE PROJECTION	FILENAME:	SYMBOLY PER ANSI Y14.5	NOTES:	WOODBINE MFG. CO. BUS BROWN DRIVE WOODBINE, IOWA 51579	
C	11/16/15	REPLACED (1) 602 & (1) 10251 WITH (1) 597 & (1) 737	JCB		1516			DRAWN BY. GDB			
B	11/20/14	ADDED (1) 11963, AND (1) 95126	GDB		1258	DECIMAL MACHINE SAW, DRILL SHEAR, PUNCH FORM TORCH, WELDING ROUGH CAST	2PLC .030 .060 .090	3PLC .015 .030 .060	DRAWN/DATE 3/20/13 APPVD/DATE		THE INFORMATION HERE IS CONFIDENTIAL AND MUST NOT BE USED IN ANYWAY DETRIMENTAL TO THE INTEREST OF WOODBINE MFG.
A	3/20/13	RELEASED TO PRODUCTION	GDB		864	DRAFT 2'	ANGULAR ±1'	SALES CATEGORY	TITLE REPLACEMENT DS LATCH(TX)		
								PRODUCT LINE SCALE 1:4 FIN. WT. PART NO. 012625			