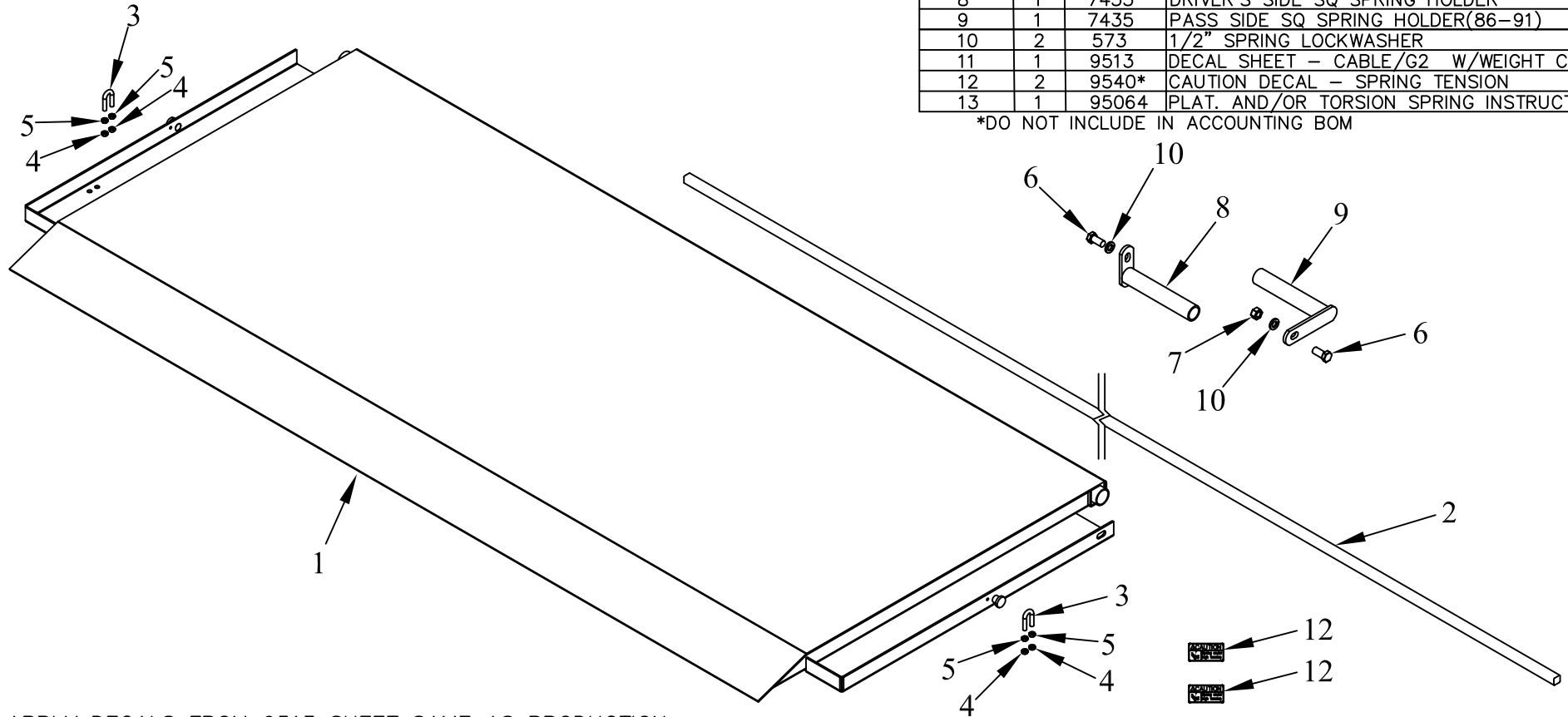


ITEM NO.	QTY.	PART NO.	DESCRIPTION
1	1	2068	(91) 42+6" TREADPLATE PLATFORM COMPLETE
2	1	5045	1/2" SQ. TORSION SPRING (91)
3	2	4727	3/8"U-BOLT(SHORT)x16x7/8x1-1/2
4	4	605	3/8-16 USS CROWN LOCK NUT
5	4	550	3/8-16 GR5 HEX NUT
6	2	587	1/2-13x1" HHCS GR5
7	1	551	1/2-13 GR5 HEX NUT (ZINC)
8	1	7433	DRIVER'S SIDE SQ SPRING HOLDER
9	1	7435	PASS SIDE SQ SPRING HOLDER(86-91)
10	2	573	1/2" SPRING LOCKWASHER
11	1	9513	DECAL SHEET - CABLE/G2 W/WEIGHT CAP.
12	2	9540*	CAUTION DECAL - SPRING TENSION
13	1	95064	PLAT. AND/OR TORSION SPRING INSTRUCTIONS

*DO NOT INCLUDE IN ACCOUNTING BOM



NOTES: APPLY DECALS FROM 9513 SHEET SAME AS PRODUCTION
SEND (2) 9540 LOOSE

WOODBINE MFG. CO.
BUS BROWN DRIVE
WOODBINE, IOWA 51579



THE INFORMATION HERE IS CONFIDENTIAL AND MUST NOT BE USED IN ANYWAY DETRIMENTAL TO THE INTEREST OF WOODBINE MFG.

NOTES:

THIRD ANGLE PROJECTION

 FILENAME:
 SYMBOLY PER ANSI Y14.5
 DRAWN BY: DJR
 DRAWN/DATE: 3/15/05

DECIMAL	2PLC	3PLC
MACHINE SAW, DRILL	.030	.015
SHEAR, PUNCH FORM	.060	.030
TORCH, WELDING ROUGH CAST	.090	.060
DRAFT 2°		ANGULAR ±1°

TITLE
(91) 42+6" TP REPLACEMENT PLATFORM

SCALE	FIN. WT.	PART NO.
N	340	1791

REV.	DATE	CHANGE RECORD	BY	APPVD	ECN
C	1/24/17	ADDED 9513, 9540, 95064	AAS		1783
B	3/12/10	REMOVED PN8119; ADDED PN5045, 587, 551, 7433, 7434, 573	MTC		274
A	5/22/06	UPDATED BOM	JCB	KGJ	