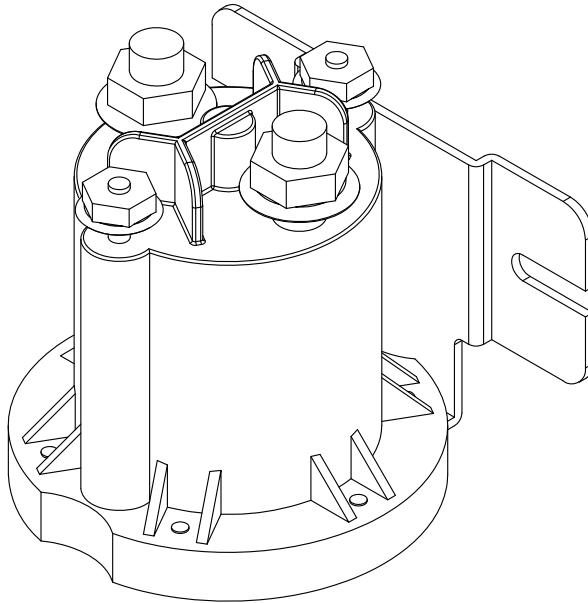


ITEM NO.	QTY.	PART NO.	DESCRIPTION
1	1	4178	SOLENOID 4-POST(650)



REV.	DATE	CHANGE RECORD	BY	APPVD	ECN	THIRD ANGLE PROJECTION	FILENAME:	SYMBOLY PER ANSI Y14.5	NOTES:	WOODBINE MFG. CO. BUS BROWN DRIVE WOODBINE, IOWA 51579 712-647-2050																				
B	7/16/09	CHANGED GRAPHIC TO SHOW SOLENOID THAT IS NOW USED	MTC	MTC		<table border="1"> <tr> <td>DECIMAL</td> <td>2PLC</td> <td>3PLC</td> </tr> <tr> <td>MACHINE SAW, DRILL</td> <td>.030</td> <td>.015</td> </tr> <tr> <td>SHEAR, PUNCH FORM</td> <td>.060</td> <td>.030</td> </tr> <tr> <td>TORCH, WELDING ROUGH CAST</td> <td>.090</td> <td>.060</td> </tr> </table>	DECIMAL	2PLC	3PLC	MACHINE SAW, DRILL	.030	.015	SHEAR, PUNCH FORM	.060	.030	TORCH, WELDING ROUGH CAST	.090	.060	<table border="1"> <tr> <td>DRAWN BY.</td> <td>DJR</td> </tr> <tr> <td>DRAWN/DATE</td> <td>1/25/06</td> </tr> <tr> <td>APPVD/DATE</td> <td>7/16/09</td> </tr> </table>	DRAWN BY.	DJR	DRAWN/DATE	1/25/06	APPVD/DATE	7/16/09	<table border="1"> <tr> <td>TITLE</td> <td>REPLACEMENT SOLENOID 4-POST</td> </tr> </table>	TITLE	REPLACEMENT SOLENOID 4-POST		<small>THE INFORMATION HERE IS CONFIDENTIAL AND MUST NOT BE USED IN ANYWAY DETRIMENTAL TO THE INTEREST OF WOODBINE MFG.</small>
DECIMAL	2PLC	3PLC																												
MACHINE SAW, DRILL	.030	.015																												
SHEAR, PUNCH FORM	.060	.030																												
TORCH, WELDING ROUGH CAST	.090	.060																												
DRAWN BY.	DJR																													
DRAWN/DATE	1/25/06																													
APPVD/DATE	7/16/09																													
TITLE	REPLACEMENT SOLENOID 4-POST																													
SALES CATEGORY	45	PRODUCT LINE	8950	SCALE	N	FIN. WT.	1.5	PART NO.	995																					