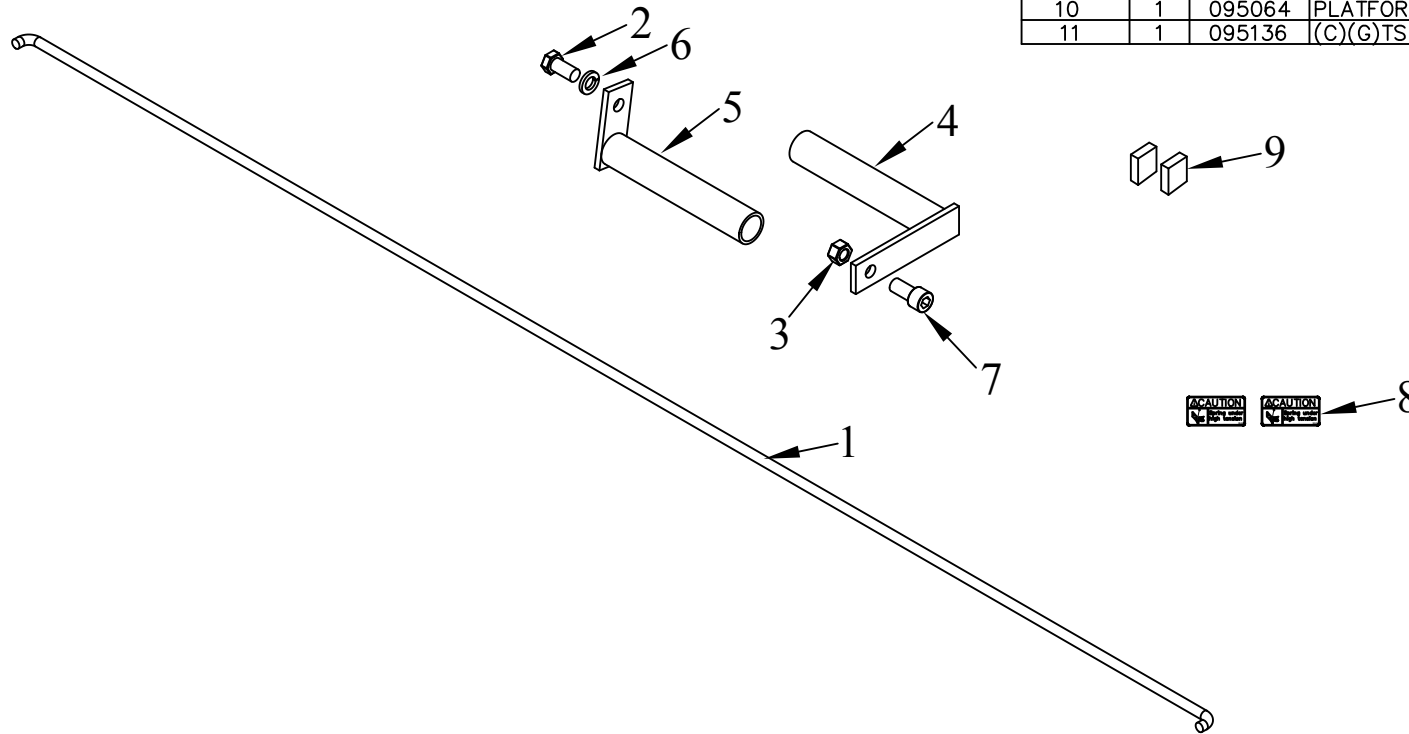


ITEM NO.	QTY.	PART NO.	DESCRIPTION
1	1	007870	.38"x64.313" TORSION SPRING(64EA)
2	1	000587	1/2-13x1" HHCS GR5
3	1	000588	1/2-13 CROWN LOCK NUT
4	1	007431	PASS SIDE SPRING HOLDER(62 DEG)
5	1	007778	HINGE TUBE SPRING HOLDER-EA DRIVER
6	1	000573	1/2" SPRING LOCKWASHER
7	1	000604	1/2-13x1"USS SOC HD CAP STAINLESS
8	2	009540	WARNING DECAL - SPRING TENSION
9	2	013461	.50"SQ.x.341" BAR-SPRING SPACER
10	1	095064	PLATFORM AND/OR TORSION SPRING (CABLE/G2)
11	1	095136	(C)(G)TS SPACER INSTALLATION GUIDE (65)



REV.	DATE	CHANGE RECORD	BY	APPVD	ECN	THIRD ANGLE PROJECTION	FILENAME:	SYMBOLY PER ANSI Y14.5	NOTES:	SALES CATEGORY	PRODUCT LINE	SCALE	FIN. WT.	PART NO.		
D	8/6/14	ADDED (2) 13461, AND (1) 95136	GDB		1180				WOODBINE MFG. CO. BUS BROWN DRIVE WOODBINE, IOWA 51579 712-647-2050							
C	3/29/11	ADDED 95064	JCB		427		MACHINE SAW, DRILL DECIMAL .030 2PLC .015 3PLC	DRAWN BY. JCB								
B	11/16/10	ADDED (2) 9540	JCB		376		SHEAR, PUNCH FORM .060 .030	DRAWN/DATE 12/2/09								
A	12/2/09	DRAWN IN AUTOCAD	JCB		242		TORCH, WELDING ROUGH CAST .090 .060	APPVD/DATE								
							DRAFT 2' ANGULAR ±1'	TITLE TORSION SPRING KIT(64/65) STEEL PLATFORM								
												N		10288		