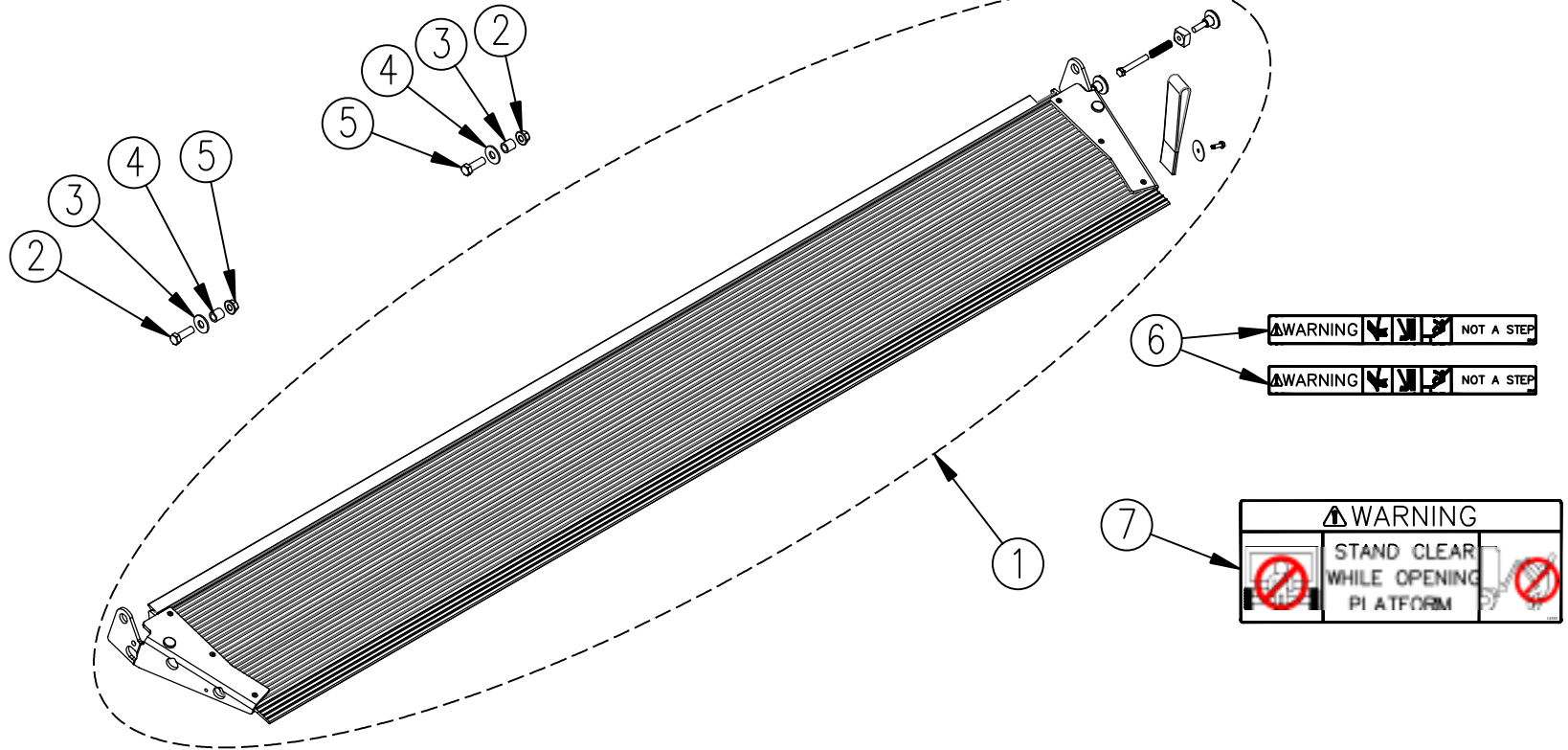


ITEM NO.	QTY.	PART NO.	DESCRIPTION
1	1	014023	RR 89 BF FOLDING TAPER
2	2	003053	1/2-13 x 1-3/4" BOLT
3	2	000576	1/2" USS FLAT WASHER
4	2	014283	BF RR HINGE SPACER
5	2	013975	1/2-13 FLANGE LOCK NUT
6	2	003945	NOT A STEP DECAL
7	1	014380	KEEP CLEAR DECAL - BF
8	1	095215	BF RR REPLACEMENT INSTRUCTIONS



				THIRD ANGLE PROJECTION					WOODBINE MFG. CO. BUS BROWN DRIVE WOODBINE, IOWA 51579																	
							SYMBOLY PER ANSI Y14.5		NOTES:																	
				<table border="1"> <tr> <th>DECIMAL</th> <th>2PLC</th> <th>3PLC</th> </tr> <tr> <td>MACHINE SAW, DRILL</td> <td>.030</td> <td>.015</td> </tr> <tr> <td>SHEAR, PUNCH FORM</td> <td>.060</td> <td>.030</td> </tr> <tr> <td>TORCH, WELDING ROUGH CAST</td> <td>.090</td> <td>.060</td> </tr> </table>			DECIMAL	2PLC	3PLC	MACHINE SAW, DRILL	.030	.015	SHEAR, PUNCH FORM	.060	.030	TORCH, WELDING ROUGH CAST	.090	.060	DRAWN BY. AAS							
DECIMAL	2PLC	3PLC																								
MACHINE SAW, DRILL	.030	.015																								
SHEAR, PUNCH FORM	.060	.030																								
TORCH, WELDING ROUGH CAST	.090	.060																								
							DRAWN/DATE 3/28/16		<small>THE INFORMATION HERE IS CONFIDENTIAL AND MUST NOT BE USED IN ANYWAY DETRIMENTAL TO THE INTEREST OF WOODBINE MFG.</small>																	
A	3/28/16	RELEASED TO PRODUCTION		AAS		1593			TITLE REPLACEMENT RR 89 BF FOLDING TAPER																	
REV.	DATE	CHANGE RECORD		BY	APPVD	ECN	DRAFT 2'	ANGULAR ±1'	SCALE 1:6	FIN. WT.	PART NO. 014706															