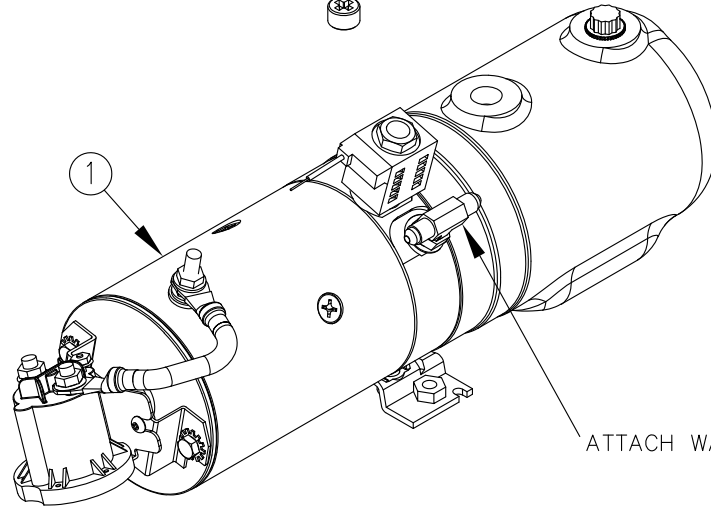
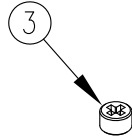
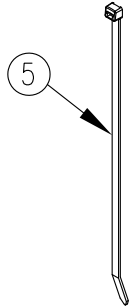
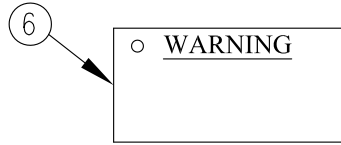


ITEM NO.	QTY.	PART NO.	DESCRIPTION
1	1	004457	MONARCH UNIT 319-0295 (2050) 1340 G2
2	0.335 GAL.	001092	TOMMY GATE WINTER GRADE OIL
3	1	004403*	VENT PLUG
4	1	009089	16-14 HEAT SHRINK BUTT CONNECTOR
5	1	009077	3/16"x7-1/2" CABLE TIE
6	1	014839	VENT PLUG WARNING TAG
7	1	095048	REPLACEMENT POWER UNIT INSTALLATION INSTR.

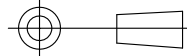
*ACCOUNTING-DO NOT USE FOR B.O.M.



ATTACH WARNING TAG TO TEE WITH CABLE TIE

REV.	DATE	CHANGE RECORD	BY	APPVD	ECN	DRAFT	ANGULAR	SALES CATEGORY	PRODUCT LINE	SCALE	FIN. WT.	PART NO.
A	10/4/24	RELEASED TO PRODUCTION	AAS		3061	2'	±1'			1:4	23.6	18392

THIRD ANGLE PROJECTION



DECIMAL 2PLC 3PLC

MACHINE SAW, DRILL .030 .015

SHEAR, PUNCH FORM .060 .030

TORCH, WELDING ROUGH CAST .090 .060

FILENAME:

SYMBOLY PER ANSI Y14.5

DRAWN BY. AAS

DRAWN/DATE 10/4/24

APPVD/DATE

NOTES:

WOODBINE MFG. CO.
BUS BROWN DRIVE
WOODBINE, IOWA 51579



THE INFORMATION HERE IS CONFIDENTIAL AND MUST NOT BE USED IN ANYWAY DETRIMENTAL TO THE INTEREST OF WOODBINE MFG.

TITLE: REPLACEMENT 1642 G2 PUMP & MOTOR UNIT W/WINTER GRADE OIL (2750PSI)