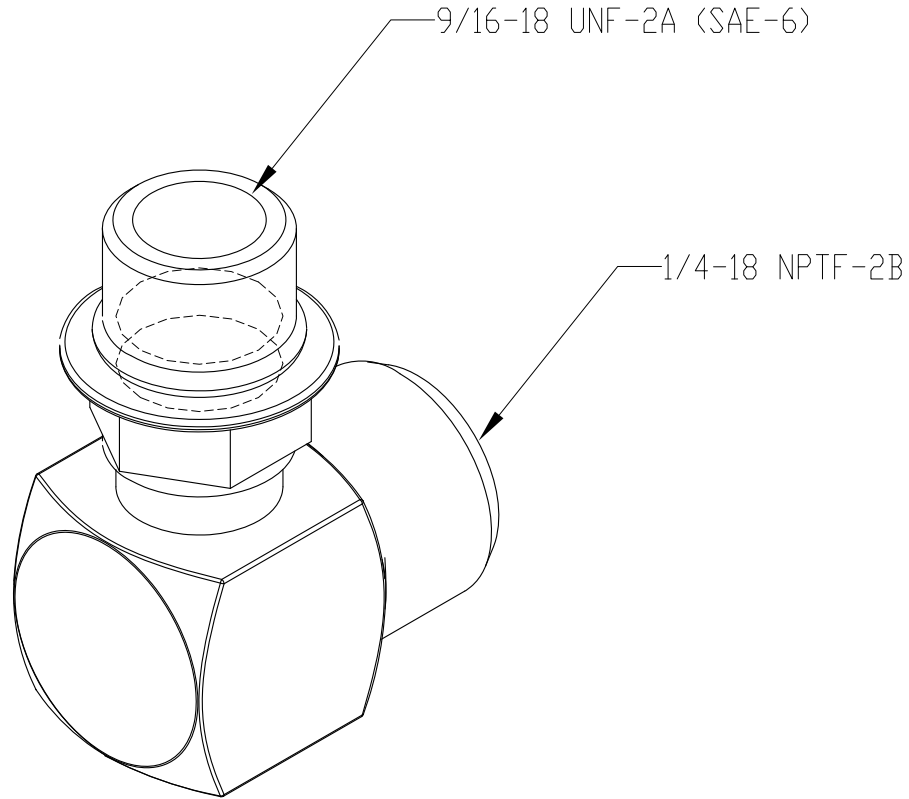


ITEM NO.	QTY.	PART NO.	DESCRIPTION
1	1	004299	MONARCH ELBOW FITTING 90 DEGREE



REV.	DATE	CHANGE RECORD	BY	APPVD	ECN	DRAFT	ANGULAR	SALES CATEGORY	PRODUCT LINE	SCALE	FIN. WT.	PART NO.	
A	3/24/06	DRAWN IN AUTOCAD	MTC	KGJ		2'	±1'	45	8950	N	0.2	944	
						THIRD ANGLE PROJECTION	FILENAME:						
							SYMBOLY PER ANSI Y14.5		NOTES:				
						DECIMAL	2PLC	3PLC	DRAWN BY.				
						MACHINE SAW, DRILL	.030	.015	MTC				
						SHEAR, PUNCH FORM	.060	.030	DRAWN/DATE				
						TORCH, WELDING ROUGH CAST	.090	.060	02/27/06				
									APPVD/DATE				
									03/24/06		TITLE		REPLACEMENT 90 DEGREE 9/16 ELBOW
											WOODBINE MFG. CO. BUS BROWN DRIVE WOODBINE, IOWA 51579		
											712-647-2050		
											THE INFORMATION HERE IS CONFIDENTIAL AND MUST NOT BE USED IN ANYWAY DETRIMENTAL TO THE INTEREST OF WOODBINE MFG.		