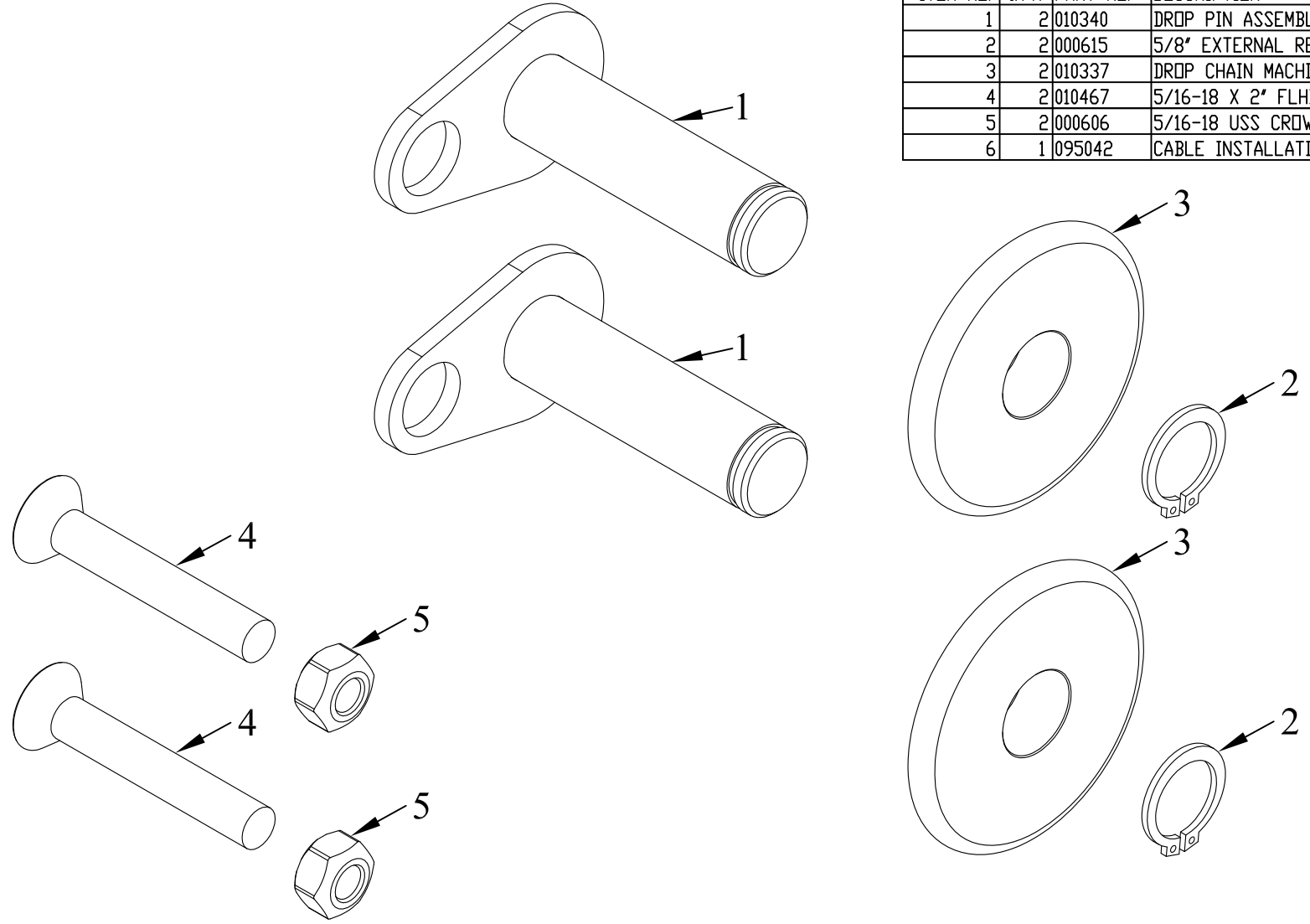


ITEM NO.	QTY.	PART NO.	DESCRIPTION
1	2	010340	DROP PIN ASSEMBLY
2	2	000615	5/8" EXTERNAL RETAINING RING-PLATED
3	2	010337	DROP CHAIN MACHINED WASHER
4	2	010467	5/16-18 X 2" FLHD SHCS - ZINC
5	2	000606	5/16-18 USS CROWN LOCK NUT
6	1	095042	CABLE INSTALLATION INSTRUCTIONS (36-50)



				THIRD ANGLE PROJECTION			FILENAME:		WOODBINE MFG. CO.															
							SYMBOLY PER ANSI Y14.5		BUS BROWN DRIVE															
				<table border="1"> <tr> <th>DECIMAL</th> <th>2PLC</th> <th>3PLC</th> </tr> <tr> <td>MACHINE SAW, DRILL</td> <td>.030</td> <td>.015</td> </tr> <tr> <td>SHEAR, PUNCH FORM</td> <td>.060</td> <td>.030</td> </tr> <tr> <td>TORCH, WELDING ROUGH CAST</td> <td>.090</td> <td>.060</td> </tr> </table>			DECIMAL	2PLC	3PLC	MACHINE SAW, DRILL	.030	.015	SHEAR, PUNCH FORM	.060	.030	TORCH, WELDING ROUGH CAST	.090	.060	DRAWN BY: DJR		NOTES:		WOODBINE, IOWA 51579	
DECIMAL	2PLC	3PLC																						
MACHINE SAW, DRILL	.030	.015																						
SHEAR, PUNCH FORM	.060	.030																						
TORCH, WELDING ROUGH CAST	.090	.060																						
							DRAWN/DATE 12/16/03		712-647-2050															
							TITLE SET OF DROP CHAIN PIN ASSEMBLIES (36-50)																	
							SCALE N		FIN. WT.															
							PART NO.		10512															
REV.	DATE	CHANGE RECORD	BY	APPVD	ECN	DRAFT 2'	ANGULAR ±1'																	
A	2/24/10	DRAWN IN AUTOCAD	MTC		270																			

THE INFORMATION HERE IS CONFIDENTIAL AND MUST NOT BE USED IN ANYWAY DETRIMENTAL TO THE INTEREST OF WOODBINE MFG.