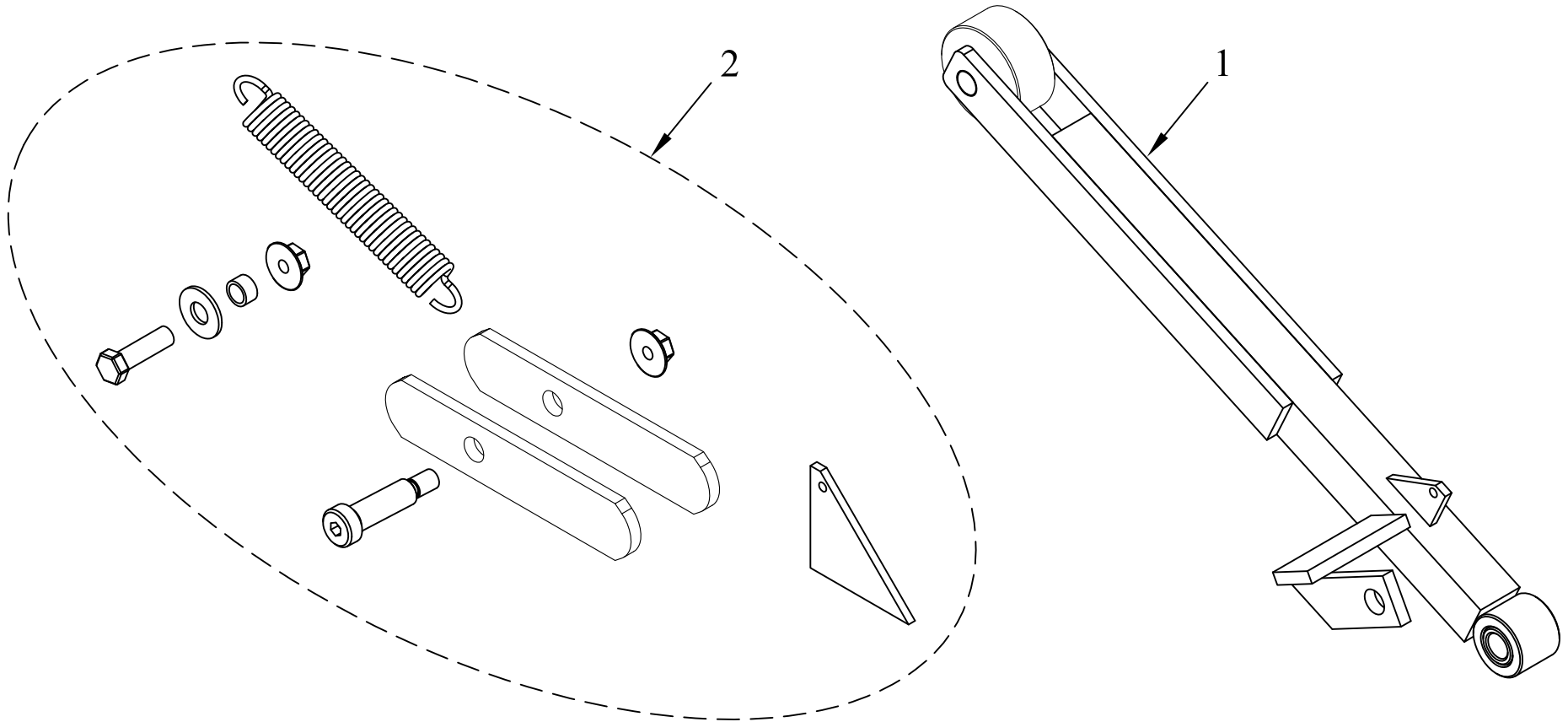


ITEM NO.	QTY.	PART NO.	DESCRIPTION
1	1	007282	SELF CLOSE ARM (LEFT) (N)
2	1	008121	REPAIR HARDWARE ONLY-STEEL SC ARM



REV.	DATE	CHANGE RECORD	BY	APPVD	ECN	DRAFT	ANGULAR	SALES CATEGORY	PRODUCT LINE	SCALE	FIN. WT.	PART NO.	
B	2/8/10	COMBINED PARTS INTO HARDWARE KIT (8121)	JCB		264	2'	±1°			N	7.45	8137	
A	9/26/07	DRAWN IN AUTOCAD	JCB	KGJ									
						THIRD ANGLE PROJECTION	FILENAME:		WOODBINE MFG. CO. BUS BROWN DRIVE WOODBINE, IOWA 51579				
							SYMBOLY PER ANSI Y14.5		NOTES:				
						DECIMAL	2PLC	3PLC	DRAWN BY. JCB				
						MACHINE SAW, DRILL	.030	.015	DRAWN/DATE 9/26/07				
						SHEAR, PUNCH FORM	.060	.030	APPVD/DATE				
						TORCH, WELDING ROUGH CAST	.090	.060	TITLE REPLACEMENT STEEL PLATFORM SC ARM KIT-LEFT (N)				
												THE INFORMATION HERE IS CONFIDENTIAL AND MUST NOT BE USED IN ANYWAY DETRIMENTAL TO THE INTEREST OF WOODBINE MFG.	
												712-647-2050	