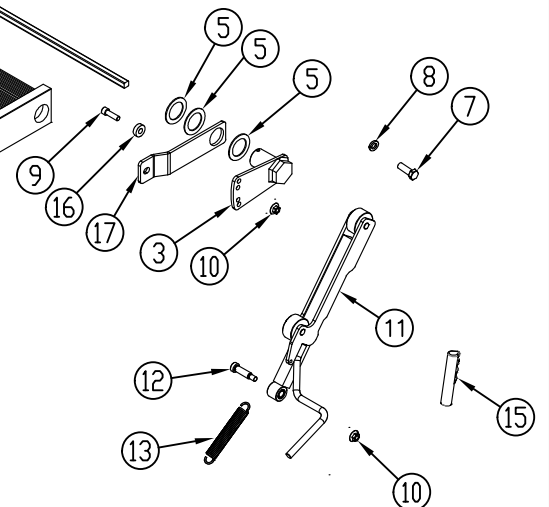


ITEM NO.	QTY.	PART NO.	DESCRIPTION
1	1	011440	(95) 70+12 ALUMINUM SC/TA PLATFORM W/ CS COMPLETE
2	1	005237	5/8" X 96-3/4 RAIL TORSION SPRING (95)
3	1	001989	5/8" RAIL TORSION SPRING HOLDER (PASS.)
4	1	011157	5/8" RAIL TORSION SPRING HOLDER (DR)
5	5	000582	1-1/2" NARROW RIM MACHINE BUSHING
6	1	004720	1/4"x2" COTTER PIN
7	2	000521	1/2"-13x1-1/4" HHCS GR5
8	2	000573	1/2" SPRING LOCK WASHER
9	1	000596	3/8-16x1-1/2"USS SDC HD CAP
10	2	000553	3/8-16 LARGE FLANGE LOCK NUT
11	1	010406	SELF CLOSE ARM (RIGHT) WITH HANDLE
12	1	001902	1/2"DIA.x1-1/2" CHROME PLATED SHOULDER BOLT
13	1	001914	0.115"WIREX0.75"X5.5" EX. SPRING
14	2	009540	CAUTION DECAL - TORSION SPRING
15	1	002657	HANDLE GRIP
16	1	013291	5/16" TORSION SPRING SPACER
17	1	011155	TORSION ARM RAIL (DR)
18	2	004721	1/8"x3/4" COTTER PIN
19	1	095087	REPAIR (25/30) RAIL TORSION ASSIST SPRING INSTRUCTIONS



REV.	DATE	CHANGE RECORD	BY	APPVD	ECN	DRAFT	ANGULAR	SALES CATEGORY	PRODUCT LINE	SCALE	FIN. WT.	PART NO.
B.1	8/11/15	REMOVED ACCOUNTING NOTE	GDB			2'	±1'			1:15		11767
B	3/26/13	ADDED (2) 582, (1) 521, (1) 573, (1) 13291, (1) 11155, AND (2) 4721; REPLACED 594, 11158, 1991, 5239 W/ 596, 11157, 1989, 5237	JCB		852							
A	1/10/12	RELEASE TO PRODUCTION	JAR		570							
						THIRD ANGLE PROJECTION	FILENAME:		WOODBINE MFG. CO. BUS BROWN DRIVE WOODBINE, IOWA 51579			
						DECIMAL	2PLC	3PLC	SYMBOLY PER ANSI Y14.5		NOTES:	
						MACHINE SAW,DRILL	.030	.015	DRAWN BY: JAR		712-647-2050	
						SHEAR, PUNCH FORM	.060	.030	DRAWN/DATE: 1/5/12		THE ORIGINAL TOMMY GATE hydraulic lift	
						TORCH, WELDING ROUGH CAST	.090	.060	APPVD/DATE		THE INFORMATION HERE IS CONFIDENTIAL AND MUST NOT BE USED IN ANYWAY DETRIMENTAL TO THE INTEREST OF WOODBINE MFG.	
						DRAFT 2'	ANGULAR ±1'	SALES CATEGORY	PRODUCT LINE	SCALE 1:15	FIN. WT.	PART NO. 11767
						TITLE: (95) 70+12 SC/TA REPLACEMENT ALUM PLATFORM W/CS						