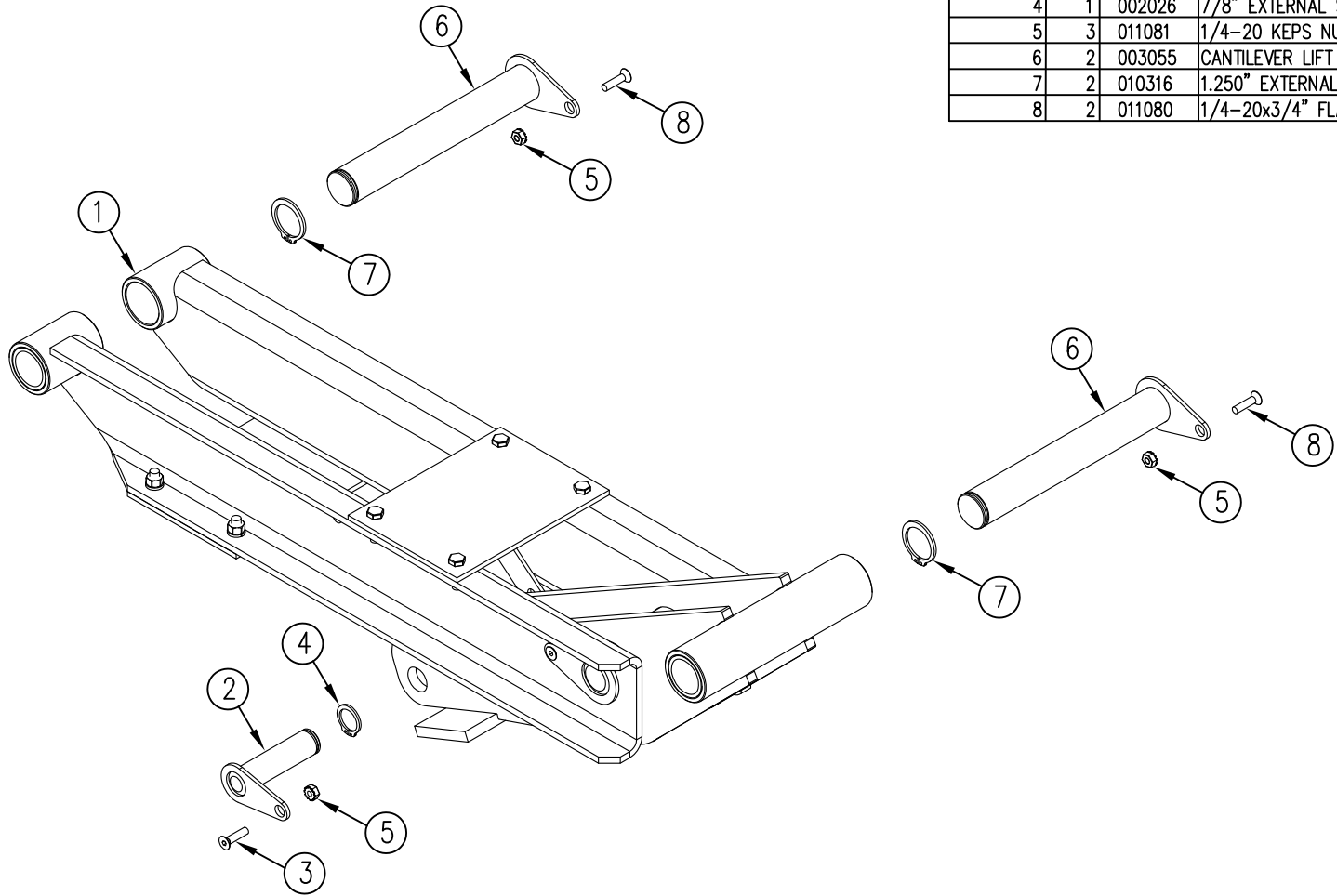
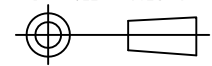



ITEM NO.	QTY.	PART NO.	DESCRIPTION
1	1	006416	CANTILEVER LIFT ARM ASSEMBLY COMPLETE
2	1	003114	CANTILEVER CYLINDER ROD PIN W/ KEEPER
3	1	011084	1/4-20x1" FLAT HEAD SOCKET CAP SCREW ZP
4	1	002026	7/8" EXTERNAL SNAP RING, PLATED
5	3	011081	1/4-20 KEPS NUT ZINC
6	2	003055	CANTILEVER LIFT ARM PIN W/ KEEPER
7	2	010316	1.250" EXTERNAL SNAP RING ZP
8	2	011080	1/4-20x3/4" FLAT HEAD SOC ZINC PLATED



				THIRD ANGLE PROJECTION 			FILENAME:		WOODBINE MFG. CO. BUS BROWN DRIVE WOODBINE, IOWA 51579 																		
				<table border="1"> <tr> <th>DECIMAL</th> <th>2PLC</th> <th>3PLC</th> </tr> <tr> <td>MACHINE SAW, DRILL</td> <td>.030</td> <td>.015</td> </tr> <tr> <td>SHEAR, PUNCH FORM</td> <td>.060</td> <td>.030</td> </tr> <tr> <td>TORCH, WELDING ROUGH CAST</td> <td>.090</td> <td>.060</td> </tr> <tr> <td>DRAFT 2°</td> <td colspan="2">ANGULAR ±1°</td> </tr> </table>			DECIMAL	2PLC			3PLC	MACHINE SAW, DRILL	.030	.015	SHEAR, PUNCH FORM	.060	.030	TORCH, WELDING ROUGH CAST	.090	.060	DRAFT 2°	ANGULAR ±1°		SYMBOLY PER ANSI Y14.5		NOTES:	
DECIMAL	2PLC	3PLC																									
MACHINE SAW, DRILL	.030	.015																									
SHEAR, PUNCH FORM	.060	.030																									
TORCH, WELDING ROUGH CAST	.090	.060																									
DRAFT 2°	ANGULAR ±1°																										
				DRAWN BY: JCB		<small>THE INFORMATION HERE IS CONFIDENTIAL AND MUST NOT BE USED IN ANYWAY DETRIMENTAL TO THE INTEREST OF WOODBINE MFG.</small>																					
				DRAWN/DATE 6/28/11																							
				APPVD/DATE																							
REV. DATE CHANGE RECORD				BY	APPVD	ECN	SALES CATEGORY	PRODUCT LINE	SCALE 1:6	FIN. WT.	PART NO. 11263																
B	6/13/19	REMOVED (2) 11084; ADDED (2) 11080	AAS		2266																						
A	6/28/11	RELEASED TO PRODUCTION	JCB		450																						