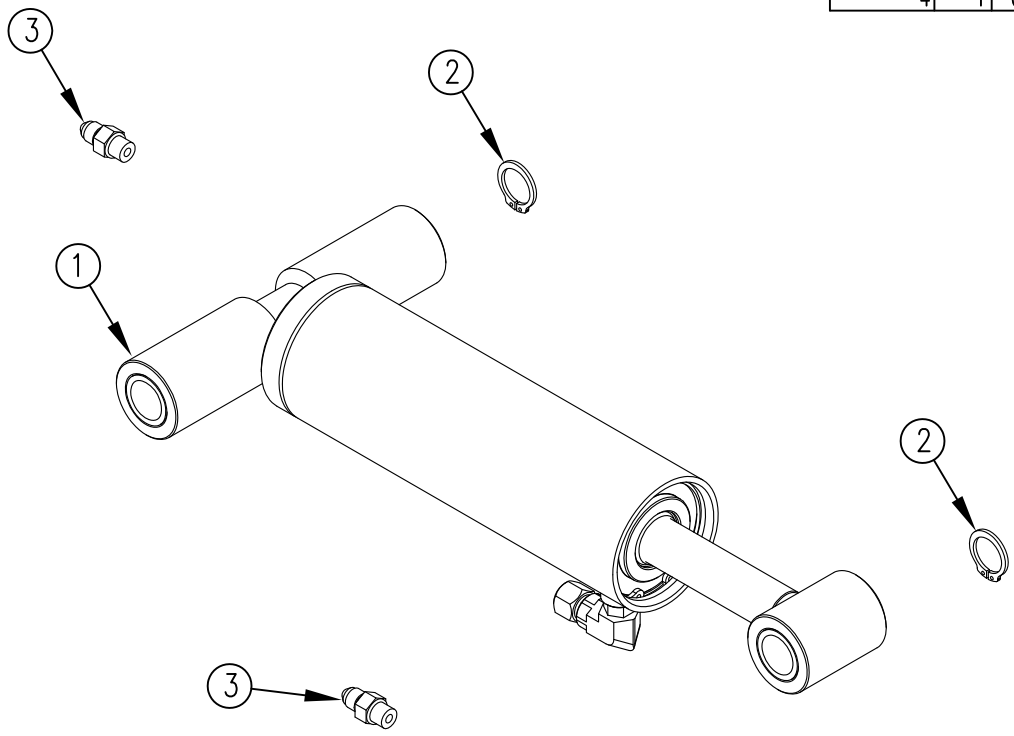


ITEM NO.	QTY.	PART NO.	DESCRIPTION
1	1	010289	CANTILEVER LIFT CYLINDER W/ADJUSTER
2	2	002026	7/8" EXTERNAL SNAP RING, PLATED
3	2	010293	04MORB-04MJIC ADAPTER
4	1	095111	CANTILEVER LIFT CYLINDER REPLACEMENT INSTR.



REV.	DATE	CHANGE RECORD	BY	APPVD	ECN	THIRD ANGLE PROJECTION	FILENAME:	SYMBOLY PER ANSI Y14.5	NOTES:	WOODBINE MFG. CO. BUS BROWN DRIVE WOODBINE, IOWA 51579 712-647-2050																		
C	5/20/13	ADDED (1) 95111	JCB		893																							
B	4/27/12	ADDED (1) 10293	JCB		653	<table border="1"> <tr> <td>DECIMAL</td> <td>2PLC</td> <td>3PLC</td> </tr> <tr> <td>MACHINE SAW, DRILL</td> <td>.030</td> <td>.015</td> </tr> <tr> <td>SHEAR, PUNCH FORM</td> <td>.060</td> <td>.030</td> </tr> <tr> <td>TORCH, WELDING ROUGH CAST</td> <td>.090</td> <td>.060</td> </tr> </table>	DECIMAL	2PLC	3PLC		MACHINE SAW, DRILL	.030	.015	SHEAR, PUNCH FORM	.060	.030	TORCH, WELDING ROUGH CAST	.090	.060	<table border="1"> <tr> <td>DRAWN BY.</td> <td>JCB</td> </tr> <tr> <td>DRAWN/DATE</td> <td>6/30/11</td> </tr> <tr> <td>APPVD/DATE</td> <td></td> </tr> </table>	DRAWN BY.	JCB	DRAWN/DATE	6/30/11	APPVD/DATE			<small>THE INFORMATION HERE IS CONFIDENTIAL AND MUST NOT BE USED IN ANYWAY DETRIMENTAL TO THE INTEREST OF WOODBINE MFG.</small>
DECIMAL	2PLC	3PLC																										
MACHINE SAW, DRILL	.030	.015																										
SHEAR, PUNCH FORM	.060	.030																										
TORCH, WELDING ROUGH CAST	.090	.060																										
DRAWN BY.	JCB																											
DRAWN/DATE	6/30/11																											
APPVD/DATE																												
A	6/30/11	RELEASED TO PRODUCTION	JCB		450																							
						<table border="1"> <tr> <td>DRAFT</td> <td>ANGULAR</td> </tr> <tr> <td>2"</td> <td>±1°</td> </tr> </table>	DRAFT	ANGULAR	2"	±1°	SALES CATEGORY	PRODUCT LINE	SCALE	FIN. WT.	PART NO.													
DRAFT	ANGULAR																											
2"	±1°																											
								1:4		11274																		